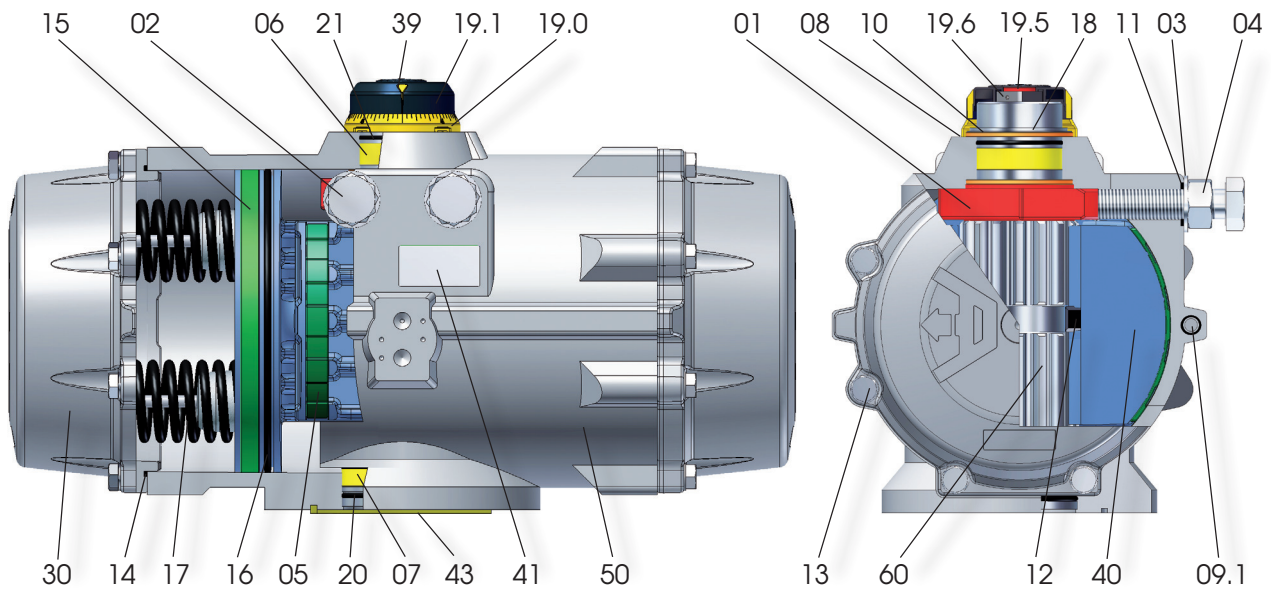




The EDITION 2010
Part Description
DR/SC05000U



AIR TORQUE
PNEUMATISCHE STELLANTRIEBE



PART N°	Spare Parts	UNIT Q.TY / NOTE	PART DESCRIPTION	STANDARD MATERIAL (A) (B)
01		1	OCTI-CAM (Stop arrangement)	Carbon Steel, zinc coated
02		2	STOP CAP SCREW	Stainless Steel
03		2	WASHER	Stainless Steel
04		2	NUT (Stop screw)	Stainless Steel
05	○	2	BEARING (Piston back)	PA46
06	○	1	BEARING (Pinion top)	High-grade polymers
07	○	1	BEARING (Pinion bottom)	High-grade polymers
08	○	2	THRUST BEARING (Pinion)	PA46
09.1	○ ⊕	2	"O-RING" PLUG	M-NBR
10		1	THRUST WASHER (Pinion)	Stainless Steel
11	○ ⊕	2	"O" RING (Stop screw)	M-NBR
12		2	PISTON GUIDE	PA66+GF
13		8	CAP SCREW (End cap)	Stainless Steel
14	○ ⊕	2	"O" RING (End cap)	M-NBR
15	○	2	BEARING (Piston head)	POM
16	○ ⊕	2	"O" RING (Piston)	M-NBR
17		min.05 max.12	SPRING (Cartridge)	SiCr Spring alloy Steel epoxy coated
18		1	SPRING CLIP (Pinion)	Spring Steel, ENP
19.0		1	GRADUATED RING	PA66+GF(+CB)
19.1		1	POSITION INDICATOR	PA66+GF+CB
19.5		1	TOP ADAPTOR	Extruded Aluminium alloy, anodized
19.6		2	HEX. SOCKET SCREW (Top Adaptor)	Stainless Steel
20	○ ⊕	1	"O" RING (Pinion bottom)	M-NBR
21	○ ⊕	1	"O" RING (Pinion top)	M-NBR
30		2	END CAP	Pressure Die Cast Aluminium alloy, anodized and coated
39		1	CAP SCREW (Indicator)	PA66+GF+CB
40		2	PISTON	Pressure Die Cast Aluminium alloy, anodized
41		1	ACTUATOR IDENTIFICATION LABEL	Polyester-Silver
43		1	SPIGOT (Only on request)	Extruded Aluminium alloy, anodized
50		1	BODY	Cast Aluminium alloy, coated
60		1	DRIVE SHAFT	Steel, ENP
60.1		1 only f. prof. level E / EC	INTEGRAL DRIVE SHAFT	Stainless Steel, ENP

○ Parts included in Complete spare parts kit ⊕ Parts included in „O“ ring spare parts kit