

KRAFT AUS DER LUFT

EDITION 2010
AIR TORQUE
THE SPECIALIST
FOR PNEUMATIC
ACTUATORS
IN ETTLINGEN



AIR TORQUE

PNEUMATISCHE STELLANTRIEBE



AIR TORQUE – Power in the Air

With the new line of pneumatic actuators Air Torque was again able to set higher standards in the scope of performance. Beside increased safety the service-friendly handling for the operator was in the focus.

For this reason our actuators are used not only in safety applications at leading companies in the chemical, oil and gas, shipbuilding, pharmacy or the food industry. Furthermore they are preferred for special applications, which require a continuous modification of the products.

Meanwhile a couple of protection levels are successful in use. This allows the service under extreme conditions like e.g. on offshore oil rigs.

An additional outstanding strength of our company is the professional and cooperative support for automation of the customers products up to the complete control unit.

To obtain an optimal delivery performance we have a stock with more than 20.000 actuators.

INNOVATIVE

With the introduction of the ‚EDITION 2010‘ the angle of adjustment is now 20° for each end position, in which each end position is limitable for 15° inwards (reduction of the angle of rotation) and 5° outwards.

Depending on the adjustment of the actuator it is possible to support a turning range for standard valves up to 75° to 95°, respectively for diverter valves and manifold valves a turning range of 60° to 100°. This provides to the operator the possibility to automate almost all 90°-standard valves with an actuator without special design.

A basic advantage of the new actuator design is the extended range of temperature. By using high-tech elastomer for the O-rings the standard range of temperature was extended to -40°C to +80°C.

Now, beside the indoor applications, in the most areas all outdoor applications can be supported with only one actuator, without the necessity to switch to a special low temperature design.

EFFICIENT

On the base of the cooperation with several boards for standardization on national, as well as on international level an up to date development reference is guaranteed. Nevertheless for us the advanced qualification of our personnel is an essential base for customer satisfaction and quality.

AIR TORQUE is certified acc. to ISO 9001:2008.

A NEW DIMENSION IN VISUALISATION

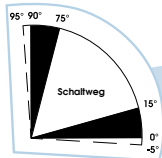
The accurate scaling allows a precise visualisation of the stroke range without further accessories.

1

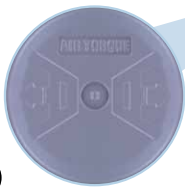
INCREASED EXTERNAL STROKE ADJUSTMENT

The stroke adjustment in the OPEN and CLOSE position has been increased to 20° which provides an exact adjustment for a precise stroke.

2



3



FLAT END CAP DESIGN

Easier maintenance and service through a flat cover shape.

IMPROVED POSITION INDICATOR

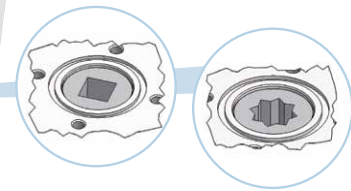
A long-lasting connection requires components on eye-to-eye level, i.e. transferred to the position indicator, an inox/inox coupling for synchronisation with the sensor.

7

MORE FLEXIBILITY FOR MOUNTING

AIR TORQUE actuators offer a wide range of square connection. This in combination with square reductions enables a flexible adaption for almost every application.

6



5



TEMPERATURE RANGE

The temperature range of our standard actuators has been increased to -40°C with new and improved sealing materials. Almost all european locations can now be served with our standard actuators even during winter time.

4

SPRING CARTRIDGE

- service-friendly safety springs
- number of springs variable according to supply pressure
- corrosion protected

Conditions of Usage

Air Supply	Temperature Range according to Design	max. press.	Turning Range	
filtered, dry or lubricated air, non corrosive media, $D_p \leq -20^\circ\text{C}$ (dew point) ($D_p \text{ min. } 10^\circ\text{C} < \text{Tarea}$), particle size $< 30 \mu\text{m}$	standard	8 bar	-5° to +15° adjustable 90° 120°-135°-145°-180°	
	super low temperature			-40°C to +80°C
	high temperature			-55°C to +80°C -15°C to +150°C

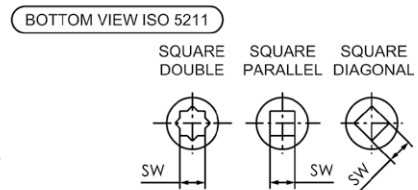
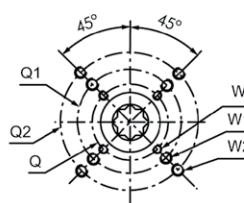
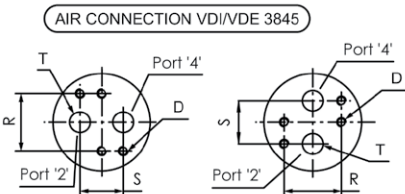
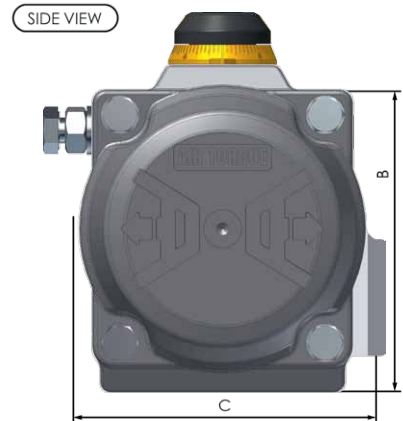
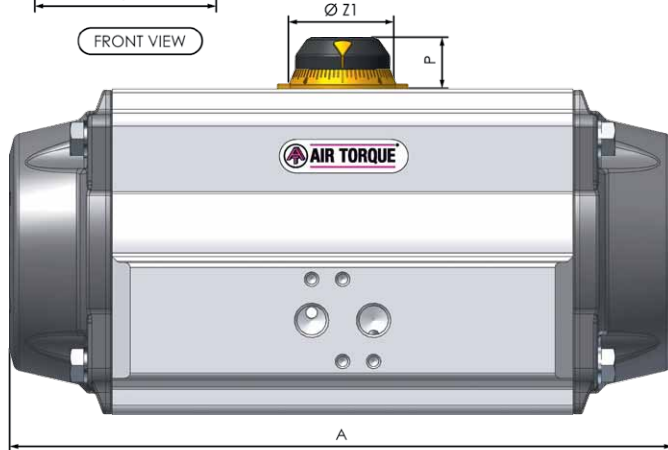
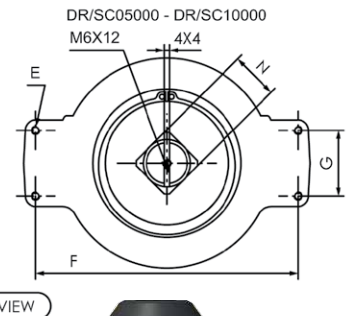
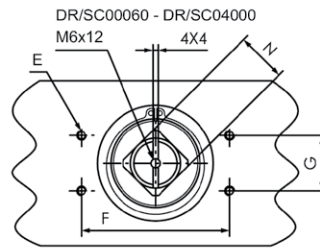
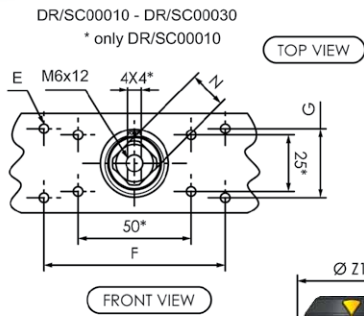
Output Torque for Double Acting Actuators in Nm

DR	2,5bar	3bar	3,5bar	4bar	4,2 bar	4,5bar	5bar	5,5bar	6bar	6,5bar	7bar	7,5bar	8bar
00010U	6,0	7,2	8,4	9,6	10,1	10,8	12,0	13,2	14,4	15,6	16,8	18,0	19,1
00015U	8,3	10	11,6	13,3	14	15	16,6	18,3	19,9	21,6	23,3	24,9	26,6
00030U	14,7	17,6	20,5	23,5	24,6	26,4	29,3	32	35,2	38,1	41	44	46,9
00060U	29,1	34,9	40,7	46,5	48,9	52,4	58,2	64	69,8	75,6	81,4	87,3	93,1
00100U	45,8	54,9	64,1	73,2	76,9	82,4	91,5	101	110	120	128	138	146
00150U	66,5	79,8	93,1	106	112	120	133	146	160	173	186	199	213
00220U	107	129	150	172	181	193	215	236	258	279	301	322	344
00300U	138	166	194	222	233	249	277	305	332	360	388	415	443
00450U	217	261	304	348	365	391	435	478	522	565	609	652	696
00600U	284	340	397	454	477	511	567	624	681	737	794	851	908
00900U	383	459	536	613	643	689	766	842	919	996	1072	1149	1225
01200U	532	638	745	851	893	957	1064	1170	1276	1383	1489	1595	1702
02000U	893	1072	1251	1430	1501	1608	1787	1966	2144	2318	2502	2684	2859
03000U	1297	1556	1815	2075	2179	2334	2594	2853	3112	3372	3631	3890	4150
04000U	1795	2154	2513	2872	3015	3231	3590	3949	4308	4667	5026	5400	5744
05000U	2252	2703	3153	3604	3784	4054	4504	4955	5405	5855	6306	6756	7207
10000U	4169	5003	5837	6671	7005	7505	8339	9173	10007	10841	11674		

example of layout DR00900U at 5,5bar air supply -> 842Nm output torque

EDITION 2010 SINGLE ACTING TORQUE TABLE

SC	F/S	2,5bar		3bar		3,5bar		4bar		4,2bar		Sp. torque		F/S	4,2bar		4,5bar		5bar		5,5bar		6bar		8bar		Sp. torque	
		0°	90°	0°	90°	0°	90°	0°	90°	0°	90°	90°	0°		0°	90°	0°	90°	0°	90°	0°	90°	0°	90°	0°	90°	90°	0°
00015	S1	5,0	3,0	7,0	4,7	8,0	6,3	10,0	8,0	10,7	8,7	5,3	3,3	S4	7,6	5,8	9,7	6,4	11,3	8,1	13,0	9,8	14,7	11,4			8,5	5,3
	S2	4,0	1,9	6,0	3,6	7,7	5,3	9,3	6,9	10,0	7,6	6,4	4,0	S5	7,0	4,9	9,0	5,4	10,7	7,0	12,3	8,7	14,0	10,0	20,6	17,0	9,6	5,9
	S3			5,3	2,5	7,0	4,2	8,7	5,8	9,4	6,6	7,4	4,6	S6			8,4	4,3	10,0	6,0	11,7	7,6	13,3	9,3	20,0	16,0	10,6	6,6
	S4					6,3	3,0	8,0	5,0	8,7	5,5	8,5	5,3	S7					9,4	4,9	11,0	6,6	13,0	8,2	19,3	14,9	11,7	7,3
	S5					7,3	3,7	8,1	4,4	9,6	5,9	9,6	5,9	S8					10,4	6,0	12,0	7,2	18,7	13,8	12,8	7,9		
00030	2/3	9,1	6,2	12,0	9,2	15,0	12,1	17,9	15,0	19,1	16,2	8,4	6,0	4	15,7	11,1	17,5	12,9	20,4	15,8	23,4	18,7	26,3	21,7			13,5	9,0
	3	8,0	4,5	10,9	7,5	13,9	10,4	16,8	13,3	18	14,5	10,1	7,0	4/5	14,6	9,4	16,4	11,2	19,3	14,1	22,3	17,1	25,2	20,0	36,9	31,7	15,2	10,0
	3/4			9,8	5,8	12,8	8,7	15,7	11,6	16,9	12,8	11,8	7,8	5			15,3	9,5	18,2	12,4	21,1	15,4	24,1	18,3	35,8	30,0	16,9	11,1
	4					11,6	7,0	14,6	10,0	15,7	11,1	13,5	9,0	5/6					17,1	10,8	20,0	13,7	23,0	16,6	34,7	28,3	18,6	12,0
	4/5					13,5	8,3	14,6	9,4	15,2	10,0	15,2	10,0	6					18,9	12,0	21,9	14,9	33,6	26,7	20,2	13,3		
00060	2/3	18,0	11,8	23,8	17,6	29,7	23,4	35,5	29,9	37,8	31,6	17,3	11,1	4	31,2	21,2	34,7	24,7	40,5	30,5	46,3	36,8	52,1	42,1			27,7	17,7
	3	15,8	8,3	21,6	14,1	27,5	19,9	33,3	25,8	35,6	28,1	20,8	13,3	4/5	29,0	17,7	32,5	21,2	38,3	27,0	44,1	32,8	49,9	38,6	73,2	61,9	31,2	19,9
	3/4			19,4	10,7	25,2	16,5	31,1	22,3	33,4	24,6	24,2	15,5	5			30,2	17,7	36,1	23,6	41,9	29,4	47,7	35,2	71,0	58,5	34,6	22,1
	4					23,0	13,0	28,8	18,8	31,2	21,2	27,7	17,7	5/6					33,8	20,1	39,7	25,9	45,5	31,7	68,7	55,0	38,1	24,3
	4/5					26,2	15,4	29,0	17,7	31,2	19,9	31,2	19,9	6					37,5	22,4	43,3	28,3	66,5	51,5	41,5	26,5		
00100	2/3	27,4	16,9	36,6	26,0	45,7	35,2	54,9	44,3	58,5	48,0	28,9	18,3	4	47,5	30,7	53,0	36,2	62,2	45,3	71,3	54,5	80,5	63,6			46,2	29,3
	3	23,8	11,1	32,9	20,3	42,1	29,4	51,2	38,6	54,9	42,2	34,7	22,0	4/5	43,9	24,9	49,4	30,4	58,5	39,5	67,7	48,7	76,8	57,8	113	94,5	52,0	33,0
	3/4			29,2	14,5	38,4	23,6	47,5	32,8	51,2	36,4	40,4	25,7	5			45,7	24,6	54,8	33,8	64,0	42,9	73,1	52,1	110	88,7	57,8	36,7
	4					34,7	17,9	43,9	27,0	47,5	30,9	46,2	29,3	5/6					51,2	28,0	60,3	37,1	69,5	46,3	106	82,9	63,5	40,3
	4/5					40,2	21,2	43,9	24,7	43,9	24,7	52,0	33,0	6					56,7	31,4	65,8	40,5	102	77,1	65,9	44,0		
00150	2/3	41,1	27,1	54,4	40,4	67,7	53,7	81,0	67,0	86,3	72,3	39,4	25,3	4	71,1	48,7	79,1	56,6	92,4	69,9	106	83,2	119	96,5			63,0	40,5
	3	36,1	19,2	49,4	32,5	62,7	45,8	76,0	59,1	81,3	64,4	47,3	30,4	4/5	66,0	40,8	74,0	48,8	87,3	62,1	101	75,3	114	88,6	167	142	70,9	45,6
	3/4			44,3	24,6	57,6	37,9	70,9	51,2	76,2	55,5	55,1	35,5	5			69,0	40,9	82,3	54,2	95,6	67,5	109	80,6	162	134	78,8	50,7
	4					52,5	30,0	65,8	43,3	71,1	48,7	63,0	40,5	5/6					77,2	46,3	90,5	59,6	104	72,9	157	126	86,7	55,7
	4/5					60,8	35,5	66,1	40,8	70,9	45,6	70,9	45,6	6					85,4	51,7	99,0	65,0	152	118	94,5	60,8		
00220	2/3	66,5	41,9	87,9	63,4	109	84,9	131	106	140	115	65,5	41,0	4	115	75,7	128	88,6	149	110	171	132	192	153			105	65,6
	3	58,3	28,8	79,7	50,3	101	71,8	123	93,3	131	102	78,6	49,2	4/5	107	62,6	120	75,5	141	97,0	163	118	184	140	270	226	118	73,8
	3/4			71,5	37,2	93,0	59,0	115	80,2	123	88,8	91,7	57,4	5			111	62,0	133	83,9	154	105	176	127	262	213	131	82,0
	4					84,8	45,6	106	67,1	115	75,7	105	65,6	5/6					125	71,0	146	92,3	168	114	254	200	144	90,2
	4/5					98,1	54,0	107	62,6	118	73,8	118	73,8	6					138	79,0	159	101	245	187	157	98,4		
00300	2/3	86,0	56,1	114	83,8	141	111	169	139	180	150	82,4	52,5	4	149	101	165	117	193	145	221	173	248	201			132	84,0
	3	75,5	39,6	103	67,3	131	95,0	159	123	170	134	98,9	63,0	4/5	138	84,3	155	101	182	129	210	156	238	184	349	295	148	94,5
	3/4			93,0	50,8	120	78,5	148	106	159	117	115	73,5	5			144	84	172	112	200	140	227	168	338	278	165	105
	4					110	62,0	138	89,7	149	101	132	84,0	5/6					161	96,0	189	123	217	151	328	262	181	116
	4/5					127	73,3	138	84,3	148	94,5	148	94,5	6					179	107	206	135	317	245	198	126		
00450	2/3	135	88,6	179	132	222	176	265	219	283	236	129	82,4	4	233	159	260	185	303	229	347	272	390	316			206	132
	3	119	63,0	162	106	206	150	249	193	266	211	155	99	4/5	217	133	243	159	287	203	330	246	374	290	547	464	232	148
	3/4			146	80,0	189	124	233	167	250	185	180	115	5			227	134	270	177	314	221	357	264	531	438	258	165
	4					173	98,0	216	142	233	159	206	132	5/6					254	151	297	195	341	238	515	412	283	181
	4/5					200	116	217	133	232	148	232	148	6					281	169	324	213	498	386	309	198		
00600	2/3	171	118	228	174	285	231	342	288	364	310	166	112	4	297	211	331	245	388	302	444	358	501	415			266	180
	3	149	84,0	206	141	262	198	319	255	342	277	199	135	4/5	275	178	309	212	365	268	422	325	479	382	706	609	299	202
	3/4			183	108	240	165	297	221	319	244	233	157	5			286	178	343	235	400	292	456	349	683	575	332	224
	4					218	131	274	188	297	211	266	180	5/6					320	202	377	259	434	315	661	542	365	247
	4/5					252	155	275	178	299	202	299	202	6					355	225	411	282	638	509	399	269		
00900	2/3	225	146	301	223	378	299	455	376	485	406	237	158	4	390	264	436	310	513	387	589	464	666	540			379	253
	3	193	99,0	270	175	346	252	423	329	454	359	284	190	4/5	359	217	405	263	481	340	558	416	634	493	941	799	426	285
	3/4		</																									



Type	00010	00015	00030	00060	00100	00150	00220	00300	00450	00600	00900	01200	02000	03000	04000	05000	10000
	DR/SC	DR/SC	DR/SC	DR/SC	DR/SC	DR/SC	DR/SC	DR/SC	DR/SC	DR/SC	DR/SC	DR/SC	DR/SC	DR/SC	DR/SC	DR/SC	DR/SC
DR Nm*	15	20	35	70	110	160	258	332	522	681	919	1276	2144	3112	4308	5405	10007
SC Nm*	5	8	13	27	44	61	99	126	198	269	379	510	865	1309	1688	2207	4067
ISO Range	F04	F04	F05-07	F05-07	F05-07	F07-10	F07-10	F07-10	F10-12	F10-12	(F12)F14	(F12)F14	(F14)F16	(F14)F16	F16(F25)	F16-25	F16-25-30
SW x l min	11 x 12	11 x 12	14 x 16	14 x 18	17 x 19	17 x 24	22 x 30	22 x 34	27 x 39	27 x 40	36 x 39	36 x 40	46 x 63	46 x 51	46 x 51	55 x 60	75 x 80
T-ISO228	1/8"	1/8"	1/8"	1/8"	1/8"	1/4"	1/4"	1/4"	1/4"	1/4"	1/4"	1/4"	3/8"	1/2"	1/2"	1/2"	1/2"
A	118	136	153.5	203.5	241	259	304	333	394.5	422.5	474	528	605	710	812	876	950
B	66	69	85	102	115	127	145	157	177	196	220.5	245	298.5	330	383	410	518
C	62	72	84.5	93	106	118.5	136	146.5	166	181	200	221.5	262	330	371	418	528
D	M5x8	M5x8	M5x8	M5x8	M5x8	M5x8	M5x8	M5x8	M5x8	M5x8	M5x8	M5x8	M6x10	M6x10	M6x10	M6x10	M6x10
E	M5x8	M5x8	M5x8	M5x8	M5x8	M5x8	M5x8	M5x8	M5x8	M5x8	M5x8	M5x8	M5x8	M5x8	M5x8	M5x8	M6x10
F	80	80	80	80	80	80	80	80	80	80	130	130	130	130	130	130	200
G	30	30	30	30	30	30	30	30	30	30	30	30	30	30	30	30	50
N	11	11	11	17	17	17	27	27	27	27	36	36	36	36	36	36	36
P	15	20	20	20	20	20	30	30	30	30	50	50	50	50	50	50	80
Q	42	42	50	50	50	70	70	70	102	102	140	140	165	165	165	165	165
Q1	-	-	-	70	70	102	102	102	125	125	-	-	-	-	-	-	254
Q2	-	-	-	-	-	-	-	-	-	-	-	-	-	-	-	-	298
R	32	32	32	32	32	32	32	32	32	32	32	32	45	45	45	45	45
S	24	24	24	24	24	24	24	24	24	24	24	24	40	40	40	40	40
W	M5	M5	M6	M6	M6	M8	M8	M8	M10	M10	M16	M16	M20	M20	M20	M20	M20
W1	-	-	M8	M8	M8	M10	M10	M10	M12	M12	-	-	-	-	-	M16	M16
W2	-	-	-	-	-	-	-	-	-	-	-	-	-	-	-	-	M20
Z1	42	42	42	42	42	42	58	58	67.5	67.5	80	80	115	115	115	115	115

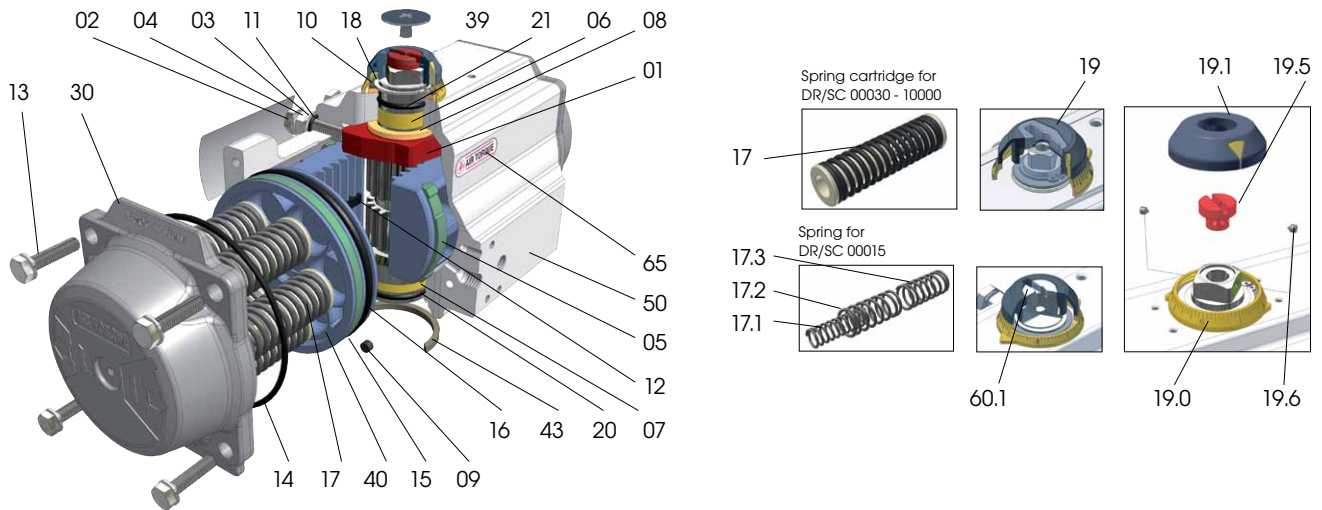
*torque at 6 bar supply pressure, SC -> minimum spring torque (fail safe action)

Zeit OPEN 1)	0,15	0,2	0,2	0,25	0,25	0,3	0,3	0,35	0,4	0,5	0,5	0,6	0,7	0,8	0,9	1,1	1,2	1,4	1,5	1,7	2	2,2	2,7	3,2	3,5	4	4	4,5	5	6	7	7,5	8	10
Zeit CLOSE 1)	0,2	0,25	0,25	0,3	0,3	0,35	0,4	0,5	0,5	0,6	0,7	0,8	0,9	1,1	1,2	1,4	1,5	1,8	1,8	2,1	2,4	2,8	3,5	4	4,1	4,6	4,5	5	6	7	7,8,5	9	11	
Vol. OPEN 2)	0,06	0,09	0,16	0,31	0,51	0,71	1,19	1,54	2,41	3,14	4,26	5,94	10	14,5	20	25	49																	
Vol. CLOSE 2)	0,1	0,15	0,26	0,49	0,78	1,11	1,8	2,34	3,78	4,92	6,89	9,46	15,2	21,38	33	40	84																	
Stroke 3)	11	14	15	17	25	28	34	36	43	46	48	54	67	80	86	90	-																	
ca. Weight 4)	0,75	0,9	1,0	1,1	1,6	1,7	2,7	3,1	3,7	4,3	5,2	6,1	8,0	9,3	9,8	12	14	17	18	22	24	33	34	42	53	67	74	93	123	155	127	169	170	238

1) Sec. 2) L 3) appr. values at 90° in mm (DR/SC10000 on request) 4) kg

Note: (A) The above indicated moving time of the actuator is obtained under the following test conditions:
For type DR/SC00010U - DR/SC00600U: (1) room temperature, (2) actuator stroke 90°, (3) solenoid valve with Ø 4 mm and flow capacity Qn 400L/min., (4) inside pipe 8 mm, (5) medium clean air, (6) air supply pressure 5,5 bar (79,75 Psi), (7) actuator without external resistance load.
For type DR/SC00900U - DR/SC10000U: (1) room temperature, (2) actuator stroke 90°, (3) solenoid valve with Ø 11 mm and flow capacity Qn 6000L/min., (4) inside pipe 11 mm, (5) medium clean air, (6) air supply pressure 5,5 bar (79,75 Psi), (7) actuator without external resistance load.
Caution: It has to be expected that for field applications, when one or more of the above parameters are different, the moving time will be different.

EDITION 2010 PART LIST AND SPECIFICATION






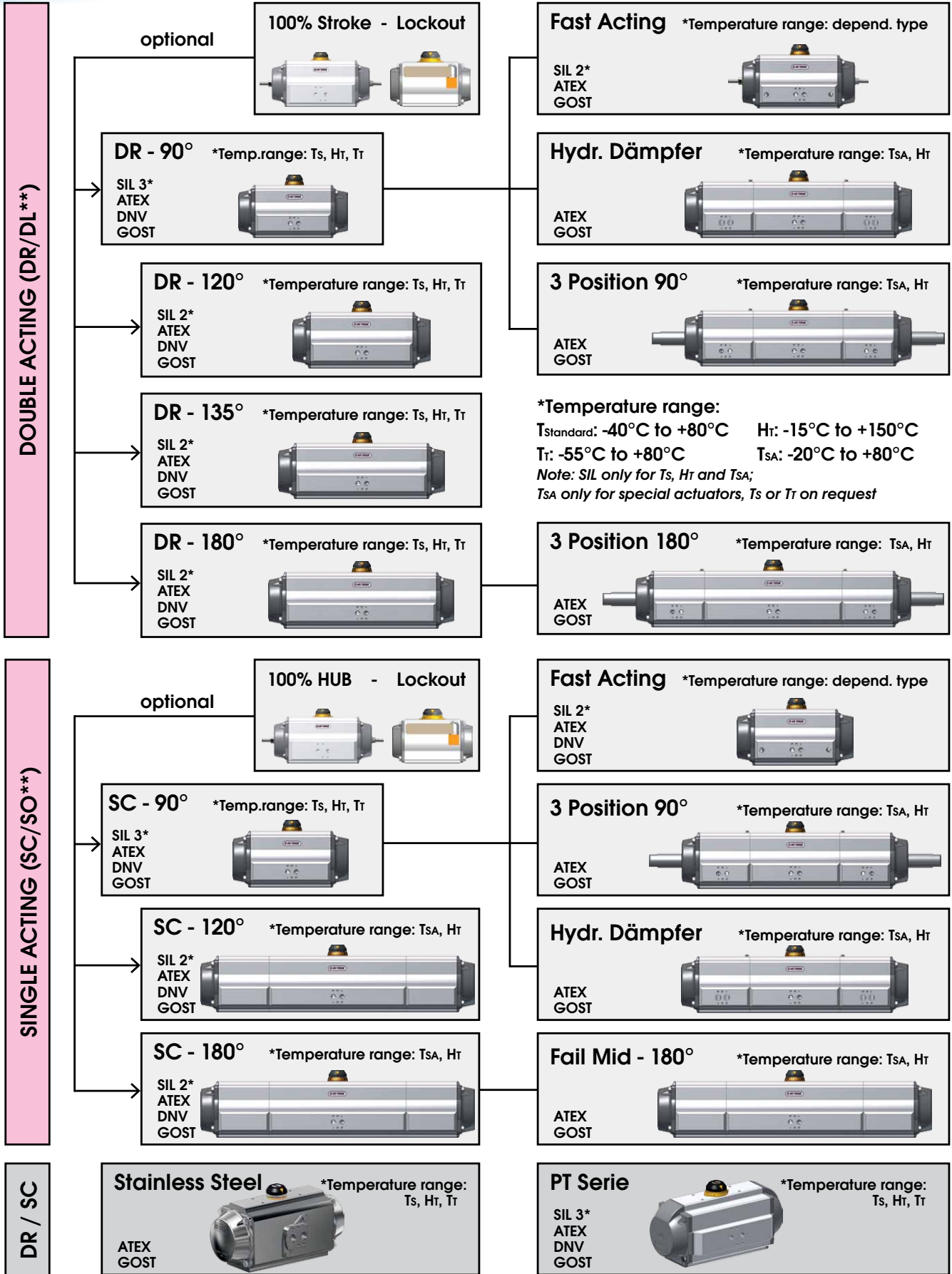
Pos.	Quantity / Note	Description	Material
01	1	Octi-Cam (stop arrangement)	Stainless steel (for DR/SC00015U - DR/SC00150U) Carbon steel / Nodular cast iron, zinc coated
02/03/04	2	Stop cap screw/Washer/Nut	Stainless steel
05	2/4 - 05000U / 10000U	Bearing (piston top)	high-grade plastic
06/07	1	Bearing, top/bottom	high-grade plastic
08	2	Thrust bearing	high-grade plastic
09	2	Plug	Silicone
09.1	2 for DR/SC 05000U - 10000U	O-ring plug	M-NBR
10	1	Thrust washer	Stainless steel
11	2	O-ring (stop screw)	M-NBR
12	2	Piston guide	high-grade plastic
13	8/12/16 - 02000U/- 04000U/- 10000U	Cap screw	Stainless steel
13.1	16 for DR/SC 10000U	Washer (cap screw end cap)	Stainless steel
14	2	O-ring (end cap)	M-NBR
15	2	Bearing (piston head)	high-grade plastic
16	2	O-ring (piston)	M-NBR
17	max.12 for DR/SC 00030U - 10000U	Spring cartridge	SiCr spring steel
17.1 - 17.3	max. 2 for DR/SC 00015U	Spring	SiCr spring steel
18	1	Spring clip	SiCr spring steel, ENP
19/19.0	1 for DR/SC 00015U - 00030U	Position indicator/graduated ring	high-grade plastic,Edelstahl/hochkl. Kunststoff
19.1	1 for DR/SC 00015U - 00030U	Position indicator	high-grade plastic
19.5	1 for DR/SC 00015U - 00030U	Top adaptor	Extruded aluminium alloy, anodized
19.6	2 for DR/SC 00015U - 00030U	Hex. socket screw (top adaptor)	Stainless steel
20/21	1	O-ring, top/bottom	M-NBR
30	2	End cap	Pressure die cast aluminium alloy, coated Cast aluminium alloy, coated (DR/SC10000)
39	1	Cap screw (indicator)	high-grade plastic
40	2	Piston	Pressure die cast aluminium alloy, coated Cast aluminium alloy, coated (DR/SC10000)
43	1	Spigot (*)	Extruded aluminium alloy, anodized
50	1 not for alle types for DR/SC 05000U+10000U	Body	Extruded aluminium alloy, coated Cast aluminium alloy, coated
60	1	Drive shaft	Extruded aluminium alloy, anodized (DR/SC10000) Carbon steel, ENP
60.1	1 not for alle types	Integral drive shaft	Stainless steel, ENP
65	1	Plastic insert	high-grade plastic

○ enclosed in spare part kit

*on request

Protection and Serviceability (Extract)

Design	Type	Part and Protection				suitable for
		Body	End Caps	Drive Shaft	Pistons	
	A	ALODUR	anodisiert+Polyester	chem. vernickelt ENP	anodisiert	general service
	Coating Colour	30 - 35 µm bright S.S.	80 - 90 µm light grey	25 - 30 µm	15 - 20 µm black	
	P	ALODUR	anodized	carbon steel ENP	anodized	process industry solvent resistant
	Coating Colour	30-35 µm dark silver-grey	30 - 35 µm dark grey	25 - 30 µm	15 - 20 µm black	
	EC	ALODUR+EPOXID	anodized+EPOXID	stainless steel	anodisiert	general service acid or basic solvents in low concentr.
	Coating Colour	80-95 µm blue grey	80 - 95 µm blue grey		15 - 20 µm black	



** Direction of rotation:



DOUBLE ACTING: DR Standard
PRESSURE CONNECTION



DL



DL

SINGLE ACTING: SC Standard



SC



SC

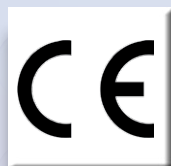
AIR TORQUE – Power in the Air PNEUMATIC PART TURN ACTUATORS

Torque from 10 Nm to 10.000 Nm
acc. to

- ISO 5211
- DIN EN 15714-3
- DIN 3337
- VDI VDE 3845
- NAMUR

APPROVALS

- ATEX • CE • GOST • SIL • Det Norske



AIR TORQUE

PNEUMATISCHE STELLANTRIEBE



ELECTRIC PART TURN ACTUATORS

- Torque from 10 Nm to 1.000 Nm
- Turning range 90° with mechanical end stop, or optional 180°, 270°, 360°

APPROVALS

- ATEX • CE • CSA • UL • GOST



Multivolt

- 100-240V AC
- 100-350V DC
- 12-48V DC
- 400V TRI

ED

- S4 - 50% (optional 80%)
- Overload protection

Function

- Positioning
- 3-Position
- Feedback solutions
- FailSafe
- Heating resistor

Protection
Temperature

- IP67
- -20°C to +70°C

AIR TORQUE GmbH STELLANTRIEBE

Im Katzentach 16-18
D-76275 Ettlingen
Tel.+49 (0)7243 5934 0
Fax+49 (0)7243 5934 34

info@airtorque.de
www.airtorque.de

