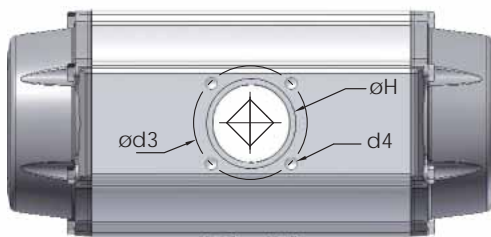
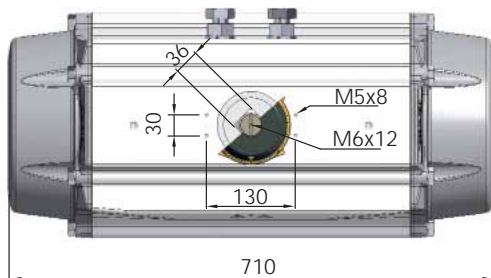
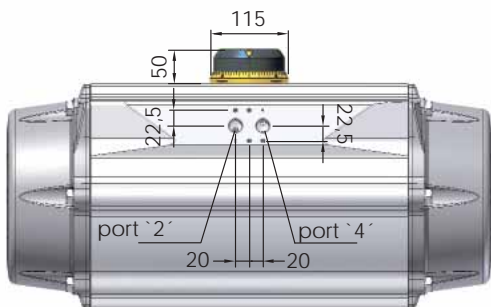
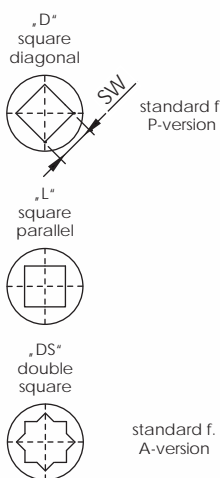




Dimensions in mm



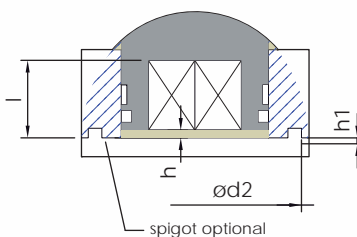
optional squares



ISO 5211 - available flanges

ISO 5211	Standard		optional	
	F16	F14*	F12*	
Ø d2	130	-	-	
Ø d3	165	140	125	
d4	M20 x 30	M16 x 24	M12 x 18	
Ø H	130	112	112	
SW x l min.	D	-	27 x 40 - 46 x 50	
	DS	46 x 52	36 x 40 - 46 x 52	
h min.	2,5	2,5	2,5	
h1	1,5	-	-	

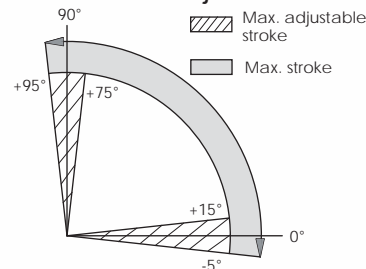
*before selecting the flange connection please consider the indications of standard n° 5211 on page 0911 of our manual for op. and maintenance



Connection / Attachment

Pressure connection port 2 and 4	G1/2"
Ancillaries attachment	AA 4

Rotation and stroke adjustment



Pressure	Output Torque for Double Acting and Spring Return in Nm												Spring Torque		approx. Weight in kg										
	2,5 bar		3 bar		3,5 bar		4 bar		4,2 bar		4,5 bar		5 bar			5,5 bar		6 bar		7 bar		8 bar		90°	0°
	0°	90°	0°	90°	0°	90°	0°	90°	0°	90°	0°	90°	0°	90°		0°	90°	0°	90°	0°	90°				
DR	1297	1556	1815	2075	2179	2334	2594	2853	3112	3631	4150														76,3

SC 2/3	751	496	1011	755	1270	1015	1529	1274	1633	1378	1789	1533	2048	1793											801	546	84,3	
SC 3	642	336	902	595	1161	854	1420	1114	1524	1217	1680	1373	1939	1632	2198	1892										961	655	85,9
SC 3/4			792	435	1052	694	1311	954	1415	1057	1570	1213	1830	1472	2089	1732	2349	1991								1121	764	87,5
SC 4					943	534	1202	793	1306	897	1461	1053	1721	1312	1980	1571	2239	1831	2758	2350						1281	873	89,1
SC 4/5							1093	633	1197	737	1352	893	1612	1152	1871	1411	2130	1671	2649	2189	3168	2708				1442	982	90,7
SC 5											1243	732	1503	992	1762	1251	2021	1510	2540	2029	3059	2548				1602	1091	92,3
SC 5/6													1393	832	1653	1091	1912	1350	2431	1869	2950	2388				1762	1200	93,9
SC 6															1544	931	1803	1190	2322	1709	2840	2228				1922	1309	95,5

Pressure max.	Rotation (STD) (C)	Screw stroke adjustment	Chamber (Ø mm)	Air volume (L)		Moving time (sec.) (A)	
				OPEN	CLOSE	OPEN	CLOSE
8 bar	0° - 90°	for 1° 1/4 rotation	265	14,5	21,38	D 4,0 S 4,5	D 4,5 S 5,0

Operating temperature (°C) (B)		
ST (Standard)	HT (High temperature)	LLT (Extreme low temperature)
- 40 to + 80	- 15 to + 150	- 55 to + 80

(A) the above indicated moving time of the actuator is obtained under the following test conditions: (1) room temperature, (2) actuator stroke 90°, (3) solenoid valve with Ø 4 mm and flow capacity Qn 6000 L/min., (4) inside pipe Ø 11 mm, (5) medium clean air, (6) air supply pressure 5,5 bar (79,75 Psi), (7) actuator without external resistance load. **Caution:** It has to be expected, e.g. for field applications, when one or more of the above parameters are different, the moving time will be different.

Operating Medium:

The operating medium must be free of dust and oil. The maximum particle size must not exceed 30µ. (ISO 8573 Part1, Class5). In order to prevent water condensation and/or solidification (ice when actuator works below 0°C), the operating medium must have a dew point equal to -20°C or at least 10°C below the ambient temperature (ISO 8573 Part1, Class3)

(B) Every temperature range option requires proper components and lubricant. Please contact Air Torque GmbH.