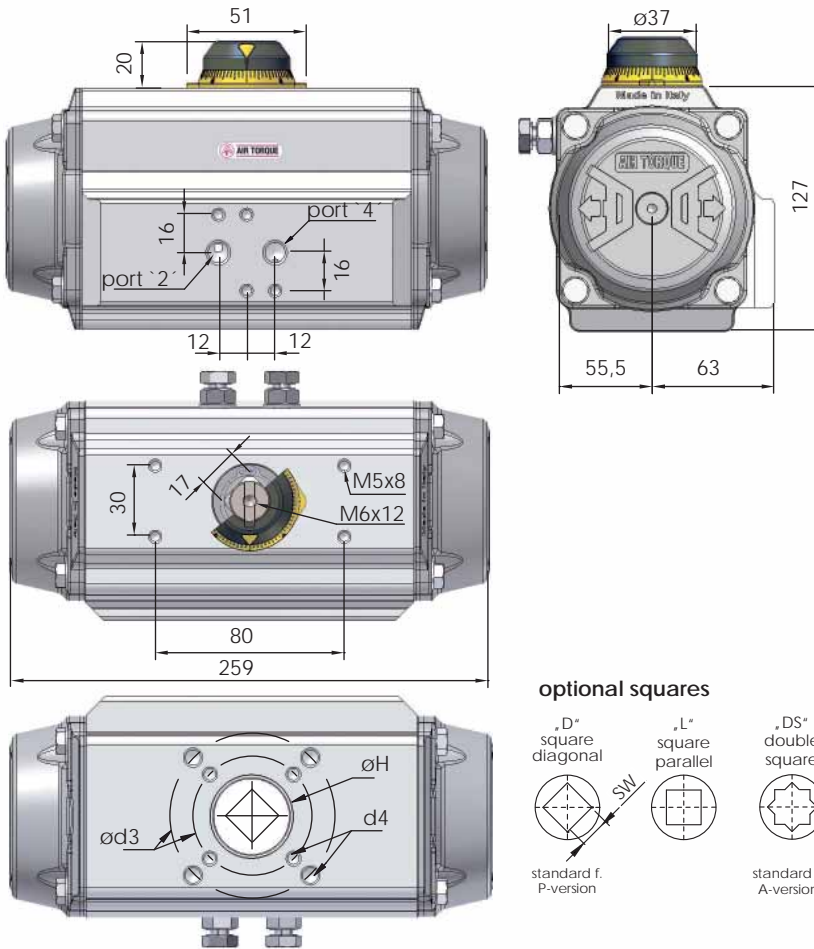




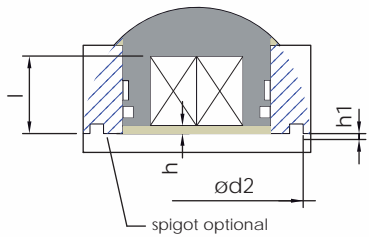
Dimensions in mm



ISO 5211 - available flanges

ISO 5211	Standard		optional		
	F07 + F10	F05* + F07	F07	F07	F07
Ø d2	55	-	-	55	55
d3	70	102	50	70	70
Ø d4	M8x12	M10x15	M6x9	M8x12	M8x12
Ø H	55	-	-	55	55
SW x l min.	D	-	17 x 20 - 22 x 25		
	DS	17 x 25	17 x 25 - 22 x 25		
h min.	1,5	1,5	1,5	1,5	1,5
h1	2	-	-	-	2

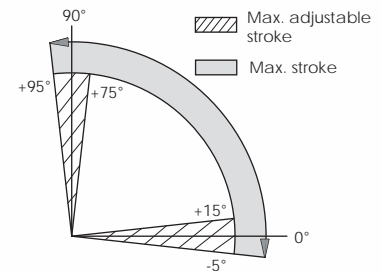
*before selecting the flange connection please consider the indications of standard n° 5211 on page 0911 of our manual for op. and maintenance



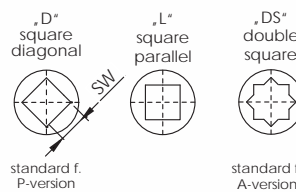
Connection / Attachment

Pressure connection port 2 and 4	G1/4"
Ancillaries attachment	AA 1

Rotation and stroke adjustment



optional squares



Pressure	Output torque for double acting and spring return in Nm												Spring torque	approx. weight in kg										
	2,5 bar		3 bar		3,5 bar		4 bar		4,2 bar		4,5 bar				5 bar		5,5 bar		6 bar		7 bar		8 bar	
	0°	90°	0°	90°	0°	90°	0°	90°	0°	90°	0°	90°			0°	90°	0°	90°	0°	90°	0°	90°	0°	90°
DR	66,5	79,8	93,1	106	112	120	133	146	160	186	213	90°	0°	5,15										

SC 2/3	41,1	27,1	54,4	40,4	67,7	53,7	81	67	86,3	72,3	94,3	80,3	108	93,6								39,4	25,3	5,50	
SC 3	36,1	19,2	49,4	32,5	62,7	45,8	76	59,1	81,3	64,4	89,3	72,4	103	85,7	116	99							47,3	30,4	5,57
SC 3/4			44,3	24,6	57,6	37,9	70,9	51,2	76,2	56,5	84,2	64,5	97,5	77,8	111	91,1	124	104					55,1	35,5	5,64
SC 4					52,5	30	65,8	43,3	71,1	48,7	79,1	56,6	92,4	69,9	106	83,2	119	96,5	146	123			63	40,5	5,71
SC 4/5							60,8	35,5	66	40,8	74	48,8	87,3	62,1	101	75,3	114	88,6	141	115	167	142	70,9	45,6	5,78
SC 5											69	40,9	82,3	54,2	95,6	67,5	109	80,8	135	107	162	134	78,8	50,7	5,85
SC 5/6													77,2	46,3	90,5	59,6	104	72,9	130	99,5	157	126	86,7	55,7	5,92
SC 6															85,4	51,7	98,7	65	125	91,6	152	118	94,5	60,8	5,99

Pressure max.	Rotation (STD) (C)	Screw stroke adjustment	Chamber (Ø mm)	Air volume (l)		Moving time (sec.) (A)	
				OPEN	CLOSE	OPEN	CLOSE
8 bar	0° - 90°	for 1° / 1/5 rotation	100	0,71	1,11	D 0,50 S 0,70	D 0,60 S 0,90

Operating temperature (°C) (B)		
ST (Standard)	HT (High temperature)	LLT (Extreme low temperature)
- 40 to + 80	- 15 to + 150	- 55 to + 80

(A) the above indicated moving time of the actuator is obtained under the following test conditions: (1) room temperature, (2) actuator stroke 90°, (3) solenoid valve with Ø 4 mm and flow capacity Qn 400 l/min., (4) inside pipe Ø 8 mm, (5) medium clean air, (6) air supply pressure 5,5 bar (79,75 Psi), (7) actuator without external resistance load. **Caution:** It has to be expected, e.g. for field applications, when one or more of the above parameters are different, the moving time will be different.

Operating Medium:

The operating medium must be free of dust and oil. The maximum particle size must not exceed 30µ. (ISO 8573 Part1, Class5). In order to prevent water condensation and/or solidification (ice when actuator works below 0°C), the operating medium must have a dew point equal to -20°C or at least 10°C below the ambient temperature (ISO 8573 Part1, Class3)

(B) Every temperature range option requires proper components and lubricant. Please contact Air Torque GmbH.