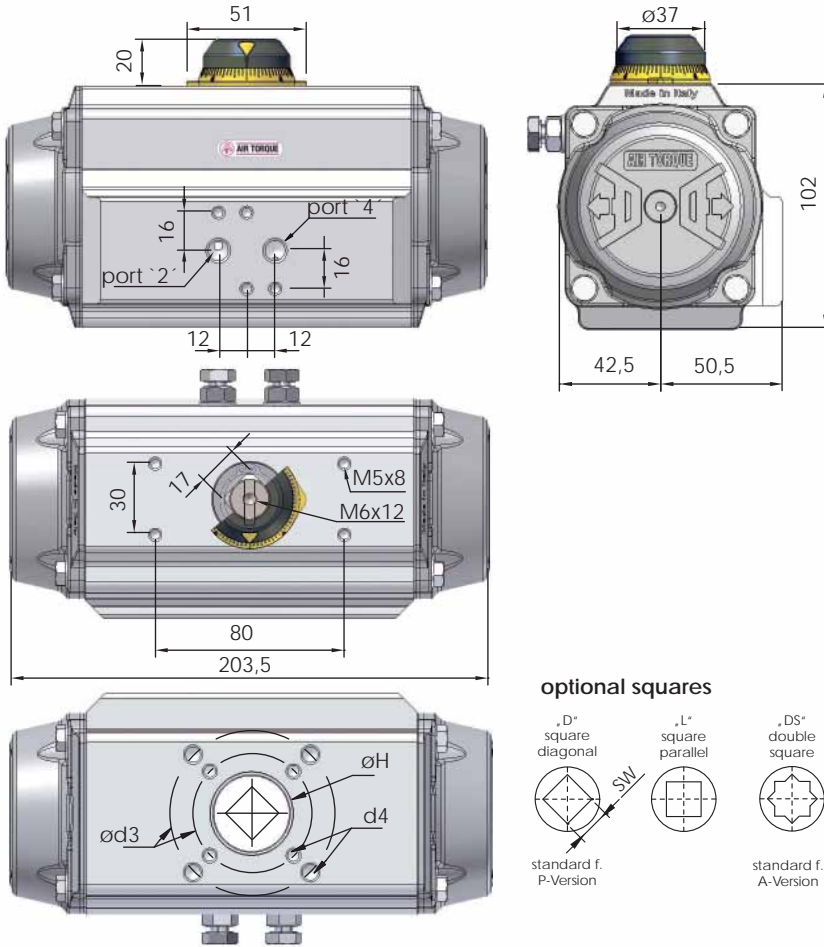




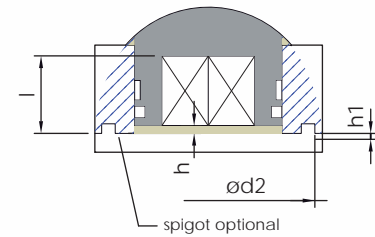
Dimensions in mm



ISO 5211 - available flanges

ISO 5211	Standard		optional	
	F05 + F07	F05	F04* + F07	
Ø d2	35	-	35	-
Ø d3	50	70	50	42 70
d4	M6x9	M8x12	M6x9	M5x8 M8x12
Ø H	35		35	-
SW x l min.	-		14 x 19 - 17 x 19	
	DS 14 x 19		14 x 19 - 17 x 19	
h min.	0,5	0,5	0,5	0,5
h1	2	-	2	-

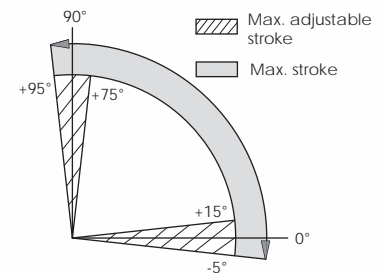
*before selecting the flange connection please consider the indications of standard n° 5211 on page 0911 of our manual for op. and maintenance



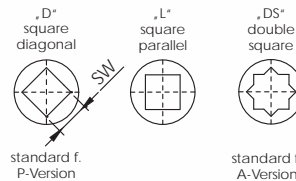
Connection / Attachment

Pressure connection port 2 and 4	G1/8"
Ancillaries attachment	AA 1

Rotation and stroke adjustment



optional squares



Pressure	Output torque for double acting and spring return in Nm														Spring torque	approx. weight in kg								
	2,5 bar		3 bar		3,5 bar		4 bar		4,2 bar		4,5 bar		5 bar				5,5 bar		6 bar		7 bar		8 bar	
	0°	90°	0°	90°	0°	90°	0°	90°	0°	90°	0°	90°	0°	90°			0°	90°	0°	90°	0°	90°	0°	90°
DR	29,1	34,9	40,7	46,5	48,9	52,4	58,2	64	69,8	81,4	93,1	-	-	-	-	-	-	-	-	-	-	-	2,68	

SC 2/3	18 11,8	23,8 17,6	29,7 23,4	35,5 29,2	37,8 31,6	41,3 35,0	47,1 40,9																17,3 11,1	2,83	
SC 3	15,8 8,3	21,6 14,1	27,5 19,9	33,3 25,8	35,6 28,1	39,1 31,6	44,9 37,4	50,7 43,2																20,8 13,3	2,86
SC 3/4		19,4 10,7	25,2 16,5	31,1 22,3	33,4 24,6	36,9 28,1	42,7 33,9	48,5 39,8	54,3 45,6															24,2 15,5	2,89
SC 4			23 13	28,8 18,8	31,2 21,2	34,7 24,7	40,5 30,5	46,3 36,3	52,1 42,1	63,7 53,7														27,7 17,7	2,92
SC 4/5				26,6 15,4	29 17,7	32,5 21,2	38,3 27	44,1 32,8	49,9 38,6	61,5 50,3	73,2 61,9													31,2 19,9	2,95
SC 5						30,2 17,7	36,1 23,6	41,9 29,4	47,7 35,2	59,3 46,8	71 58,5													34,6 22,1	2,98
SC 5/6							33,8 20,1	39,7 25,9	45,5 31,7	57,1 43,4	68,7 55													38,1 24,3	3,01
SC 6								37,5 22,4	43,3 28,3	54,9 39,9	66,5 51,5													41,5 26,5	3,04

Pressure max.	Rotation (STD) (C)	Screw stroke adjustment	Chamber Ø (mm)	Air volume (L)		Moving time (sec.) (A)	
				OPEN	CLOSE	OPEN	CLOSE
8 bar	0° - 90°	for 1° / 1/6 rotation	75	0,31	0,49	D 0,30 S 0,40	D 0,35 S 0,50

Operating temperature (°C) (B)		
ST (Standard)	HT (High temperature)	LLT (Extreme low temperature)
- 40 to + 80	- 15 to + 150	- 55 to + 80

(A) the above indicated moving time of the actuator is obtained under the following test conditions: (1) room temperature, (2) actuator stroke 90°, (3) solenoid valve with Ø 4 mm and flow capacity Qn 400 L/min., (4) inside pipe Ø 8 mm, (5) medium clean air, (6) air supply pressure 5,5 bar (79,75 Psi), (7) actuator without external resistance load. **Caution:** It has to be expected, e.g. for field applications, when one or more of the above parameters are different, the moving time will be different.

Operating Medium:

The operating medium must be free of dust and oil. The maximum particle size must not exceed 30µ. (ISO 8573 Part1, Class5). In order to prevent water condensation and/or solidification (ice when actuator works below 0°C), the operating medium must have a dew point equal to -20°C or at least 10°C below the ambient temperature (ISO 8573 Part1, Class3)

(B) Every temperature range option requires proper components and lubricant. Please contact Air Torque GmbH.