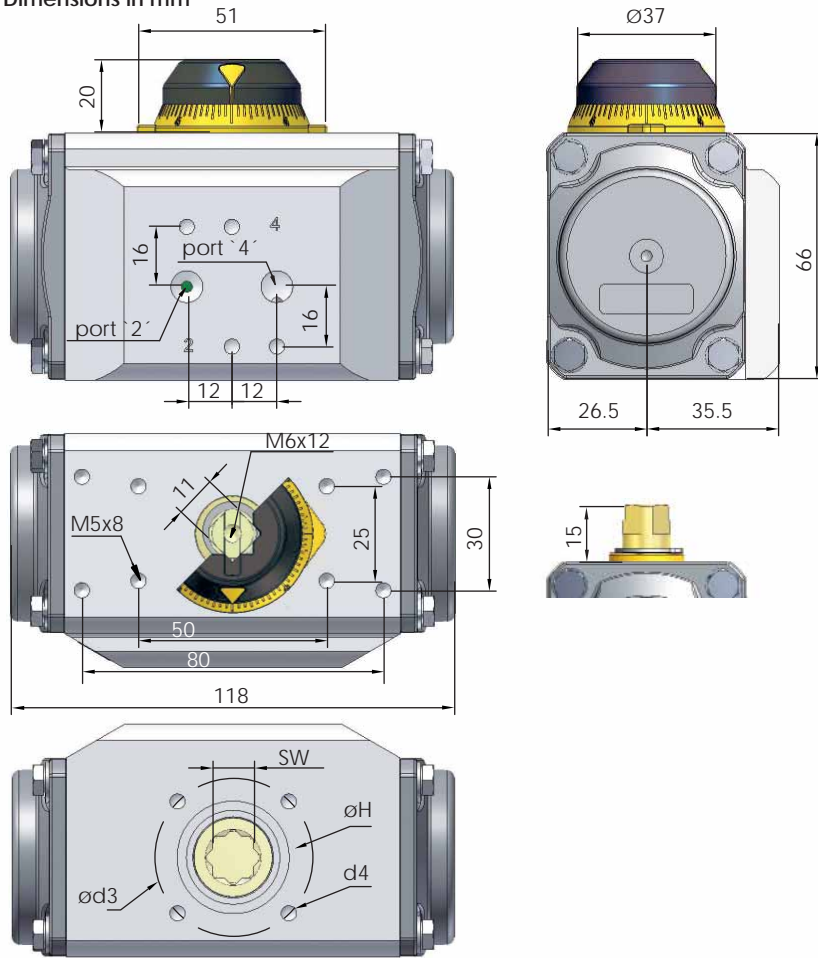


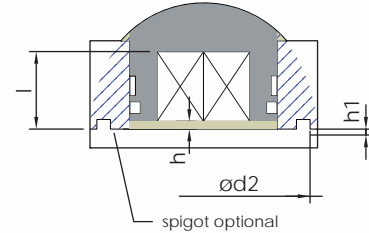


Dimensions in mm



ISO 5211 - available flanges

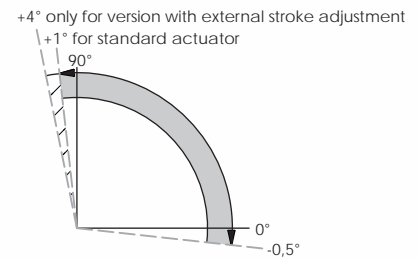
	Standard	optional
ISO 5211	F04	F03
Ø d2	30	25
Ø d3	42	36
d4	M5 x 8	M5 x 8
Ø H	30	25
SW x l min.	D	-
	DS	11 x 12
h min.	0,5	0,5
h1	1,5	2



Connection / Attachment

Pressure connection port 2 and 4	G1/8"
Ancillaries attachment	AA0/1

Rotation and stroke adjustment



Pressure	Output torque for double acting in Nm												approx. weight in kg										
	2,5 bar		3 bar		3,5 bar		4 bar		4,2 bar		4,5 bar			5 bar		5,5 bar		6 bar		7 bar		8 bar	
	0°	90°	0°	90°	0°	90°	0°	90°	0°	90°	0°	90°	0°	90°	0°	90°	0°	90°	0°	90°	0°	90°	
DR	6,0		7,2		8,4		9,6		10,1		10,8		12,0		13,2		14,4		16,8		19,1		0,75

Pressure	Output torque for single acting in Nm												Spring torque		approx. weight in kg										
	2,5 bar		3 bar		3,5 bar		4 bar		4,2 bar		4,5 bar		5 bar			5,5 bar		6 bar		7 bar		8 bar		90°	0°
Spring Set	0°	90°	0°	90°	0°	90°	0°	90°	0°	90°	0°	90°	0°	90°	0°	90°	0°	90°	0°	90°	0°	90°	90°	0°	
S 1-1	4,3	2,9																					3,1	1,7	0,86
S 1-2			4,7	2,4																			4,8	2,6	0,87
S 2-2					4,9	2,0	6,1	3,2	6,6	3,7	7,3	4,4											6,4	3,5	0,88
S 2-3											6,6	2,8	7,8	4,0	9,0	5,2	10,2	6,4					8,0	4,2	0,89
S 3-3															8,2	3,6	9,4	4,8	11,8	7,2	14,1	9,5	9,6	5,0	0,90

Pressure max.	Rotation (STD) (C)	Screw stroke adjustment	Chamber Ø (mm)	Air volume (l)		Moving time (sec.) (A)	
				OPEN	CLOSE	D	S
8 bar	0° - 90°	s. note (C)	45	0,06	0,1	0,15	0,20
						0,20	0,25

Operating temperature (°C) (B)		
ST (Standard)	HT (High temperature)	LLT (Extreme low temperature)
- 40 to + 80	- 15 to + 150	- 55 to + 80

(A) The above indicated moving time of the actuator is obtained under the following test conditions: (1) room temperature, (2) actuator stroke 90°, (3) solenoid valve with Ø 4 mm and flow capacity Qn 400 L/min., (4) inside pipe Ø 8 mm, (5) medium clean air, (6) air supply pressure 5,5 bar (79,75 Psi), (7) actuator without external resistance load. **Caution:** It has to be expected, e.g. for field applications, when one or more of the above parameters are different, the moving time will be different.

Operating Medium:

The operating medium must be free of dust and oil. The maximum particle size must not exceed 30µ. (ISO 8573 Part1, Class5). In order to prevent water condensation and/or solidification (ice when actuator works below 0°C), the operating medium must have a dew point equal to -20°C or at least 10°C below the ambient temperature (ISO 8573 Part1, Class3)

(B) Every temperature range option requires proper components and lubricant. Please contact Air Torque GmbH.

(C) Rotation for standard actuator: 91,5° + 1° in open position and -0,5° in closed position. Rotation for actuator with external stroke adjustment 94,5°, 90° + 4° adjustable in open position and -0,5° in closed position.