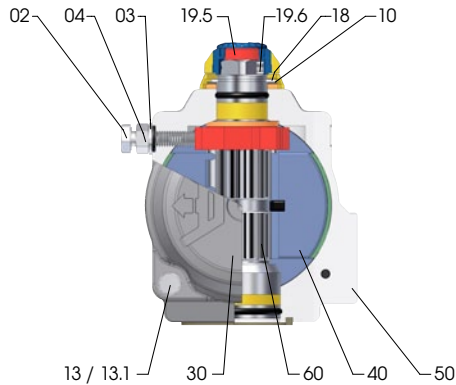




Technic DR/SC
Version B
DR/SC00015-10000



Coating specifications for version 'B'



Characteristics:

- The body is anodized, inside as well as outside. Additionally the body is coated with PTFE. The coating resists acids and basic solutions.
- The end caps are anodized and coated with light-grey polyester.
- The surface quality is achieved through a special method, which uses a special surface treatment with brushing and sand blasting followed by an electrochemical oxidation of the aluminium surface. The body is coated with PTFE.
- Good corrosion resistance.
- The use of PTFE-coating allows a high range of temperature application. End cap poliesther-coated, therefore more cost-efficient than D-version.

Suitable for:

general service, caustic soda in low concentration

Test Certificate:

Salt spray test: no. SAC/0873/11-1
Kesternich test: no. SAC/0876/11-1

Not recommended for:

chlorine, sulphuric and salted environment, nitric acid

Approval:

Classification of ships: DET NORSKE Nr. P-13682
GOST: no. 7435773, PPC 00-26447

Parts and coating specifications:

Part No.	Quantity/Note	Description	Material	Corrosion Protect.	Thickness μ	Colour	
02	2	not for DR/SC00010U	Stop cap screw	Stainless Steel A2 70 (ISO 3506)	/	/	
03	2	not for DR/SC00010U	Washer	Stainless Steel A2 (ISO 3506)	/	/	
04	2	not for DR/SC00010U	Nut (stop screw)	Stainless Steel A2 70 (ISO 3506)	/	/	
10	1	for DR/SC00010U-10000U	Thrust washer (pinion)	Stainless Steel AISI 304	/	/	
13	8/12/16	for DR/SC00010U-05000U	Cap screw (end cap)	Stainless Steel A2 70 (ISO 3506)	/	/	
13.1	16	only for DR/SC10000U	Washer (cap screw end cap)	Stainless Steel A2 70 (ISO 3506)	/	/	
18	1	for DR/SC00010U-10000U	Spring clip (pinion)	Spring steel	E.N.P.	/	
19.5	1	not for DR/SC00010U-00030U	Top adaptor	Extruded Aluminium alloy	anodized	45 - 50	
19.6	1	not for DR/SC00010U-00030U	Hex. socket screw (top adaptor)	Stainless Steel A2 70 (ISO 3506)	/	/	
30	2	for DR/SC00010U-05000U	End cap	Pressure Die Cast Aluminium alloy	anodized+ Poliesther coated	15 - 20 80 - 90	•RAL 9007
		only for DR/SC10000U		Cast Aluminium alloy			
40	2	for DR/SC00010U-05000U	Piston	Pressure Die Cast Aluminium alloy	anodized	10 - 15	black
		only for DR/SC10000U		Cast Aluminium alloy			
50	1	for DR/SC00010U-04000U	Body	Extruded Aluminium alloy	anodized+ PTFE coating	25 25 - 35	light-grey
		for DR/SC05000U-10000U		Cast Aluminium alloy			
60	1	for DR/SC00015U-05000U	Drive shaft	Steel	E.N.P.	20 - 25	/
		for DR/SC00010U and 10000U		Extruded Aluminium alloy			

Note : For all other part description or material see technical data sheet of the proper model.

Air Torque GmbH

Im Katzentach 16-18 · DE - 76275 Ettlingen
Tel.: +49 (0)7243 59 34-0 · Fax : +49 (0)7243 59 34-34
info@airtorque.de · www.airtorque.de

Modifications reserved. Date 11.2021.
No guarantee for accuracy.
Older data sheets are invalid.

Version B
0302e