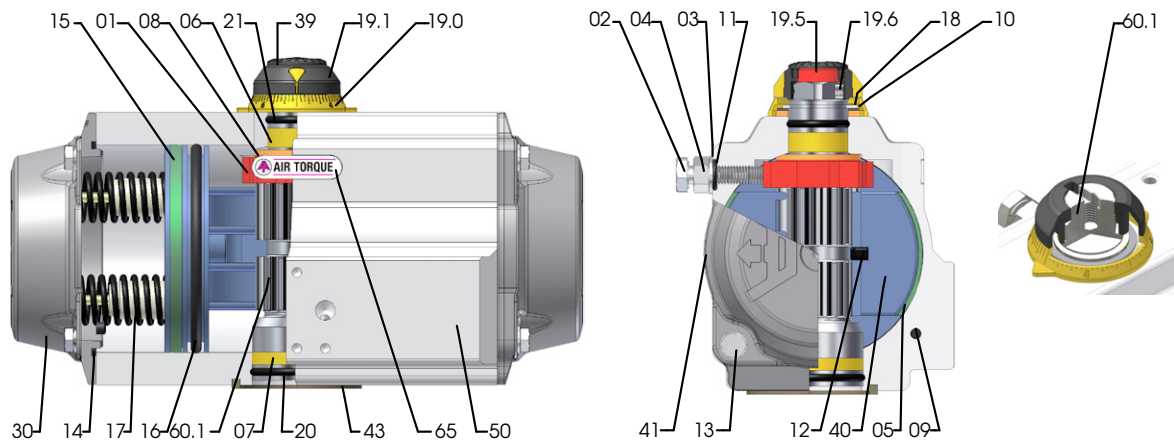




EDITION 2010
 Extreme Low Temp. LLT
 -55°C (-67°F) bis +80°C (+176°F)



AIR TORQUE
 PNEUMATISCHE STELLANTRIEBE



Part No.	Qty.	Note	Description	Standard Material / Corrosion Protection
01	1	n/a for DR/SC00010U	Octi-Cam (Stop arrangement)	Stainless Steel (only for DR/SC00015U - 00150U) Carbon Steel / Nodular Cast Iron, zinc coated
02	2	n/a for DR/SC00010U	Stop Cap Screw	Stainless Steel A2 70 (ISO 3506)
03	2	n/a for DR/SC00010U	Washer	Stainless Steel A2 (ISO 3506)
04	2	n/a for DR/SC00010U	Nut (Stop screw)	Stainless Steel A2 70 (ISO 3506)
05*	2	4 Stk. for DR/SC10000U	Bearing (Piston back)	PA46
06*	1	for DR/SC00010U - DR/SC00030U for DR/SC00060U - DR/SC10000U	Bearing (Pinion top)	PA46 HGP
07*	1	for DR/SC00010U - DR/SC00030U for DR/SC00060U - DR/SC10000U	Bearing (Pinion bottom)	PA46 HGP
08*	2	1 pcs. for DR/SC00010U	Thrust Bearing (Pinion)	PA46
09*	2	for DR/SC00010U - DR/SC04000U for DR/SC05000U - DR/SC10000U	Plug O-Ring Plug	Silicone Special Silicone
10	1		Thrust Washer (Pinion)	Stainless Steel AISI 304
11*	2	n/a for DR/SC00010U	O-Ring (Stop screw)	Special Silicone
12	2		Piston Guide	PA66+GF
13	8 12 16	for DR/SC00010U - DR/SC02000U for DR/SC03000U and DR/SC04000U for DR/SC05000U and DR/SC10000U	Cap Screw	Stainless Steel A2 70 (ISO 3506)
13.1	16	for DR/SC10000U	Washer (Cap screw end cap)	Stainless Steel A2 (ISO 3506)
14*	2		O-Ring (End cap)	Special Silicone
15*	2		Bearing (Piston head)	POM
16*	2		O-Ring (Piston)	Special Silicone
17	max. 12	for DR/SC00030U - DR/SC10000U	Spring (Cartridge)	SiCr Spring alloy Steel, coated
17.1	max. 2	for DR/SC00010U - DR/SC00015U	Spring	SiCr Spring alloy Steel, coated
17.2	max. 2	for DR/SC00010U - DR/SC00015U	Spring	SiCr Spring alloy Steel, coated
17.3	max. 2	for DR/SC00010U - DR/SC00015U	Spring	SiCr Spring alloy Steel, coated
18	1		Spring Clip (Pinion)	Stainless Steel AISI 302
19	1	for DR/SC00010U - DR/SC00030U	Position Indicator	PA66+GF+CB / Stainless Steel
19.0	1		Graduated Ring	PA66+GF+(CB)
19.1	1	n/a for DR/SC00010U - DR/SC00030U	Position Indicator	PA66+GF+CB
19.5	1	n/a for DR/SC00010U, only for DR/SC10000U	Top Adaptor	Extruded Aluminium alloy, anodized
19.6	2	n/a for DR/SC00010U, only for DR/SC10000U	Hex. Socket Screw (Top Adaptor)	Stainless Steel
20*	1		O-Ring (Pinion bottom)	Special Silicone
21*	1		O-Ring (Pinion top)	Special Silicone
30	2	for DR/SC00010U - DR/SC04000U for DR/SC05000U and DR/SC10000U	End Cap	Pressure Die Cast Aluminium alloy, anodized and coated Cast Aluminium alloy, anodized and coated
39	1		Cap Screw (Indicator)	PA66+GF+CB
40	2	for DR/SC00010U - DR/SC04000U für DR/SC05000U and DR/SC10000U	Piston	Pressure Die Cast Aluminium ally, anodized Cast Aluminium alloy, anodized
41	1		Label	Polyester-Silver
42	2	only for DR/SC00010U, 5000U and 10000U	End Cap Label	Polyester-Silver
43	1		Spigot (Only on request)	Extruded Aluminium alloy, anodized
50	1	for DR/SC05000U and DR/SC10000U	Body	Extruded Aluminium alloy, coated Cast Aluminium alloy, coated
60	1	only for DR/SC00010U and DR/SC10000U	Drive Shaft	Extruded Aluminium alloy, anodized
60.1	1	for DR/SC00015U - DR/SC05000U	Integral Drive Shaft	Stainless Steel AISI 316 (1,4401), E.N.P.
65	1		Plastic Insert	PA66 modified

Notes: *suggested SPARE PARTS for maintenance

Lubricant: GLLT Grease; For operation installation and maintenance see the manual for use and maintenance.

Technical Data:

Operating Temperature: -55°C (-67°F) to +80°C (+176°F) / **up to -60°C (-76°F) only for short period of time.**

Operating Time: to be verified on each application depending on working conditions.

Working Pressure: max. 8 bar

Operating Media: dry or lubricated air or inert/non-corrosive gases provided they are compatible with internal actuator parts and lubricant.

The operating media must have a dew point equal at least 10°C below the ambient temperature. The maximum particle size must not exceed 30µm.

Air Torque GmbH

Im Katzentach 16-18 · DE - 76275 Ettlingen

Tel.: +49 (0)7243 59 34-0 · Fax : +49 (0)7243 59 34-34

info@airtorque.de · www.airtorque.de

Modifications reserved. Date 10.2011.

No guarantee for accuracy.

Older data sheets are invalid.

ELLT
0616e