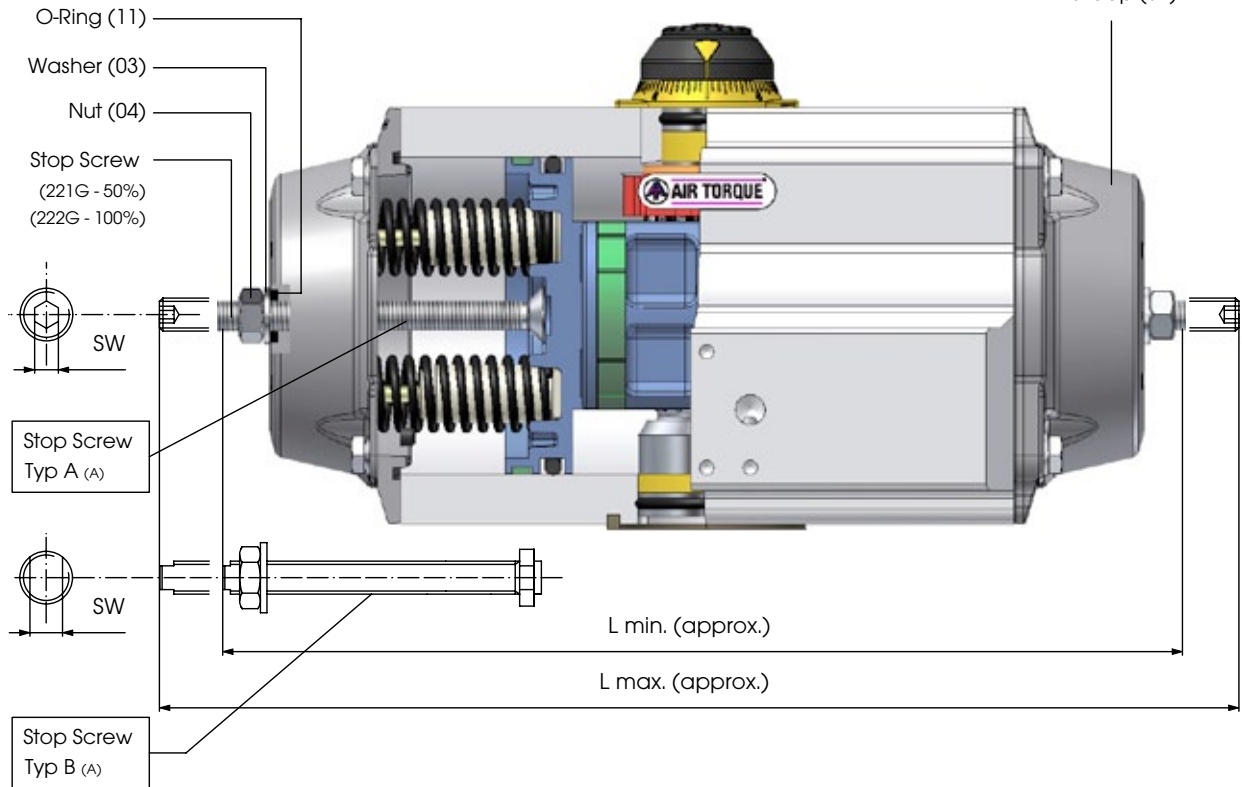




**DR/SC00015U - DR/SC10000U**

Special threaded  
End Cap (32)



Parts and Quantity for one Actuator	Part No.	Quantity	Part No.	Quantity
	03	2	221...G (50%)	2
	04	2	222...G (100%)	2
	32	2		

**Note:**  
(A) - For the type of the screw see the table.

**Actuator with Travel Stop for 50% stroke adjustment (90°-45°)**

DR/SC U ... B 50%	00015	00030	00060	00100	00150	00220	00300	00450	00600	00900	01200	02000	03000	04000	05000	10000
L min. mm	162	180	244	270	296	365	371	453	468	521	624	659	760	995	918	1060
L max. mm	176	196	266	295	324	399	409	497	515	571	680	725	838	1080	1006	1160
Stop Screw	A-SW3		A-SW4		A-SW5	B-SW8		B-SW10		B-SW10	B-SW13		B-SW17	B-SW22	B-SW22	B-SW30

**Actuator with Travel Stop for 100% stroke adjustment (90°-0°)**

DR/SC U ... B 100%	00015	00030	00060	00100	00150	00220	00300	00450	00600	00900	01200	02000	03000	04000	05000	10000
L min. mm	158	184	242	280	303	356	368	449	461	531	628	653	762	910	910	1060
L max. mm	186	216	286	330	359	424	444	537	555	631	739	785	918	1080	1086	1260
Stop Screw	A-SW3		A-SW4		A-SW5	B-SW8		B-SW10		B-SW10	B-SW13		B-SW17	B-SW22	B-SW22	B-SW30