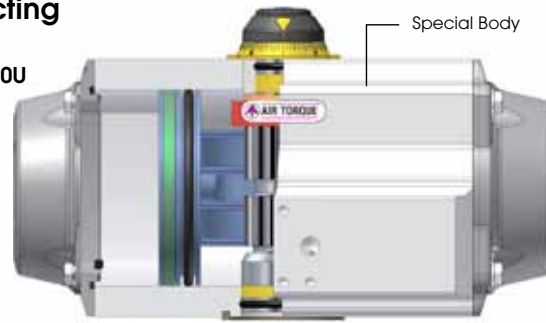


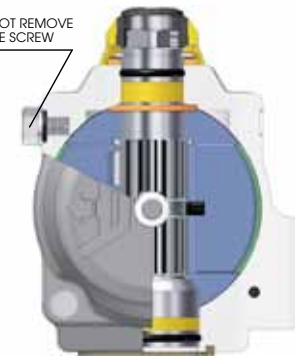
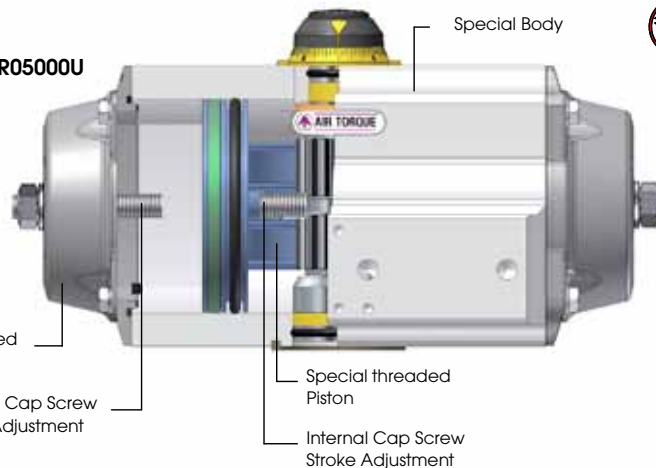


**Design: Double Acting**

FA DR00100U to FA DR00150U



FA DR00220U to FA DR05000U



**Technical Data and Operating Time:**

Actuator Type FA	Air Connection Size Port 2	Air Connection Size Port 4	Extra Air Connection	Air Bore (mm)			* min. Operating Time (sec.)	
				Port 2	Port 4	Port EAC	Double Acting	
							OPEN	CLOSE
FA DR00100U	G 1/8"-ISO228	G 1/8"-ISO228	-	ø6	ø4,5	-	0,09	0,12
FA DR00150U	G 1/4"-ISO228	G 1/4"-ISO228	-	ø7	ø5	-	0,18	0,23
FA DR00220U	G 1/4"-ISO228	G 1/4"-ISO228	G 1/4"-ISO228	ø9	-	ø8	0,06	0,09
FA DR00300U	G 1/4"-ISO228	G 1/4"-ISO228	G 1/4"-ISO228	ø9	-	ø8	0,07	0,10
FA DR00450U	G 1/4"-ISO228	G 1/4"-ISO228	G 1/4"-ISO228	ø10	-	ø10	0,09	0,12
FA DR00600U	G 1/4"-ISO228	G 1/4"-ISO228	G 1/4"-ISO228	ø10	-	ø10	0,15	0,23
FA DR00900U	G 3/8"-ISO228	G 3/8"-ISO228	G 3/8"-ISO228	ø12	-	ø12	0,20	0,30
FA DR01200U	G 3/8"-ISO228	G 3/8"-ISO228	G 3/8"-ISO228	ø12	-	ø12	0,25	0,35
FA DR02000U	G 1/2"-ISO228	G 1/2"-ISO228	G 1/2"-ISO228	ø13	-	ø13	0,30	0,40
FA DR03000U	G 1/2"-ISO228	G 1/2"-ISO228	G 1/2"-ISO228	ø15	-	ø15	0,35	0,45
FR DR04000U	G 3/4"-ISO228	G 1/2"-ISO228	G 1/2"-ISO228	ø18	-	ø16	0,37	0,48
FA DR05000U	G 3/4"-ISO228	G 1/2"-ISO228	-	ø20	-	-	0,40	0,50

**Test Condition:**

\* The MINIMUM Operating Time indicated is obtained in the following test conditions: (1) Room Temperature, (2) Double Acting Actuator, Stroke: 90°, (3) Minimum inside diameter for air supply circuit equal to air bore Port 2, (4) Medium clean air, (5) Air supply pressure: 6bar (87psi), (6) Actuator without external resistance load, (7) Supply circuit without solenoid valve.

**Attention: The indicated operation times are strictly related to the above test conditions. The operating times on the field applications are different depending on the working conditions.**

**Note:**

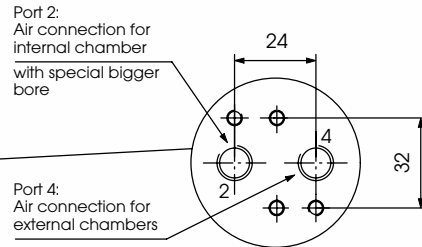
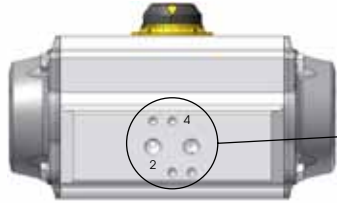
For other dimensions see catalogue or technical data sheet.  
For maintenance and installation see manual instruction. The Fast Acting actuator cycle life may result lower than for the standard actuators in relation to the field conditions.



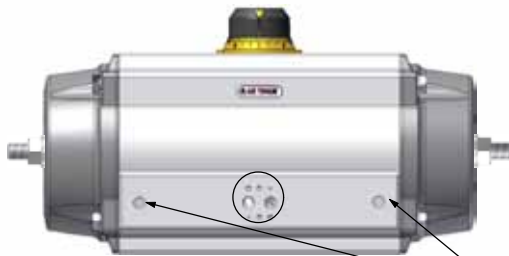
**Design: Double Acting**

**FA DR00100U to FA DR00150U**

Dimensions in mm

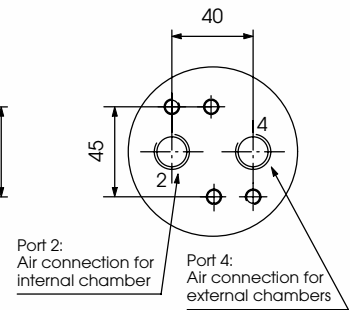
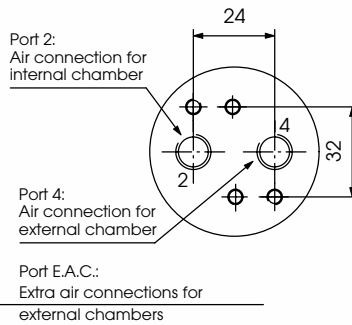


**FA DR00220U to FA DR02000U**

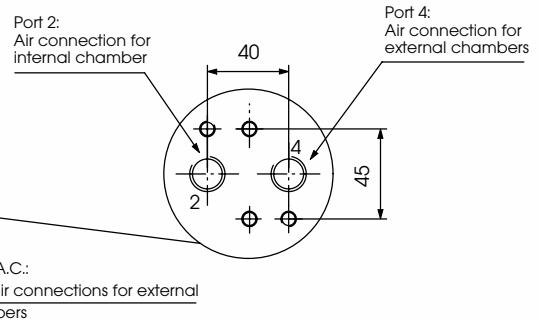
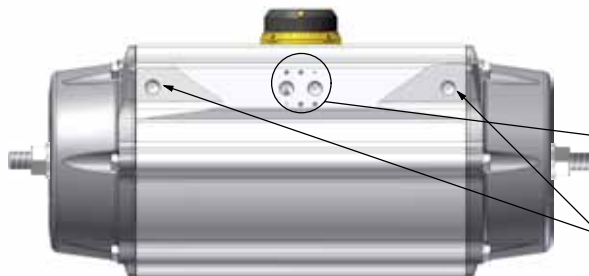


**Interface connection for type  
FA DR00220U to FA DR00600U**

**Interface connection for type  
FA DR0900U to FA DR02000U**



**FA DR03000U bis FA DR04000U**



**FA DR05000U**

