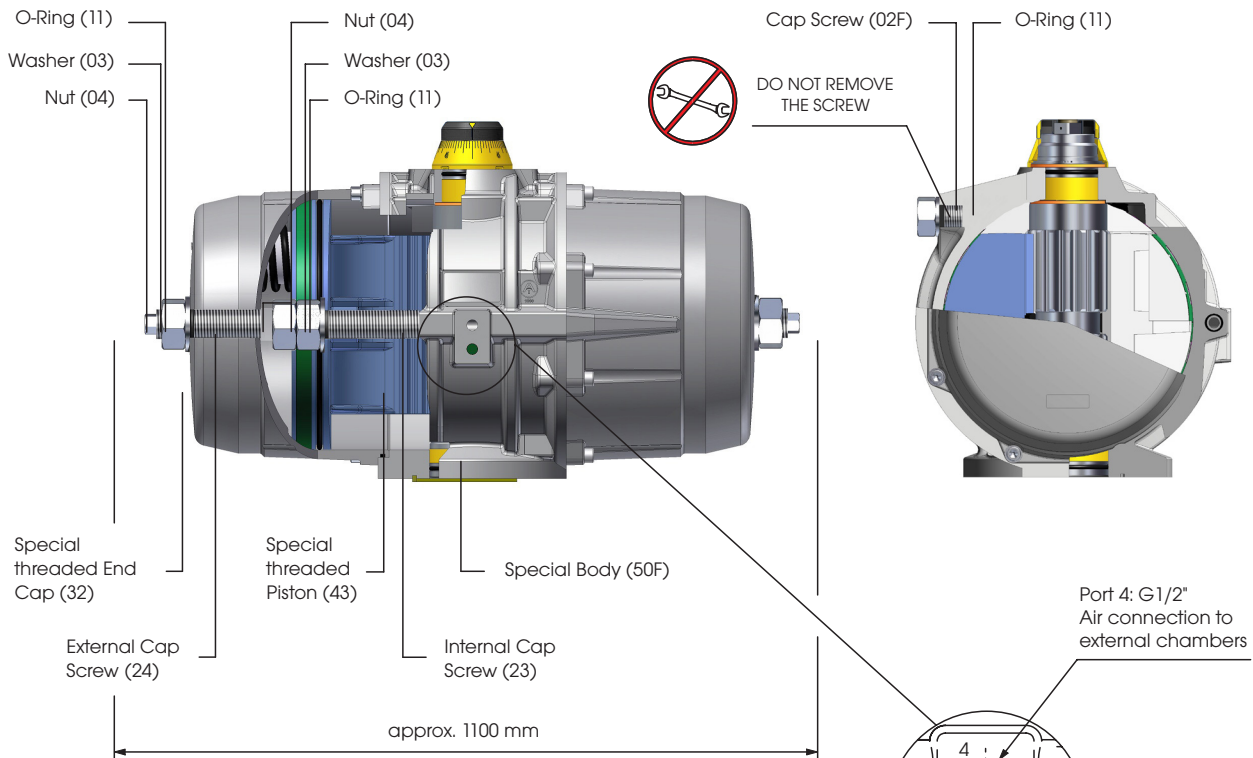




Design:



Parts and quantity for one actuator	Part No.	Quantity	Part No.	Quantity
	02F	2	24	2
	03	4	32	2
	04	6	43	2
	11	6	50F	1
	23	2	-	-

Technical Data and Operating Times:

Actuator Type	Air Connection Size Port 2	Air Connection Size Port 4	Air Bore (mm)		* minimum Operating Time (sec.)			
			Port 2	Port 4	Spring Return		Double Acting	
					OPEN	CLOSE	OPEN	CLOSE
FA DR/SC10000U	G 1"-ISO228	G 1/2"-ISO228	ø21	ø13	1,5	1,4	1,5	1,4

Test Condition:

* The MINIMUM Operating Time indicated is obtained in the following test conditions:
 (1) Room Temperature, (2) SC -> Spring Return Actuator with maximum number of springs per side, Stroke: 90°; DR -> Double Acting Actuator, Stroke: 90° (3) Minimum inside diameter for air supply circuit equal to air bore Port 2, (4) Medium clean air, (5) Air supply pressure: 6bar (87psi), (6) Actuator without external resistance load, (7) Supply circuit without solenoid valve.

Attention: The indicated operating times are strictly related to the above test conditions. The operating times on the field applications are different depending on the working conditions.

Note:

For other dimensions see catalogue or technical data sheet.
 For maintenance and installation see manual instruction. Fast Acting actuator cycle life may result lower than for the standard actuators in relation to the field conditions.