

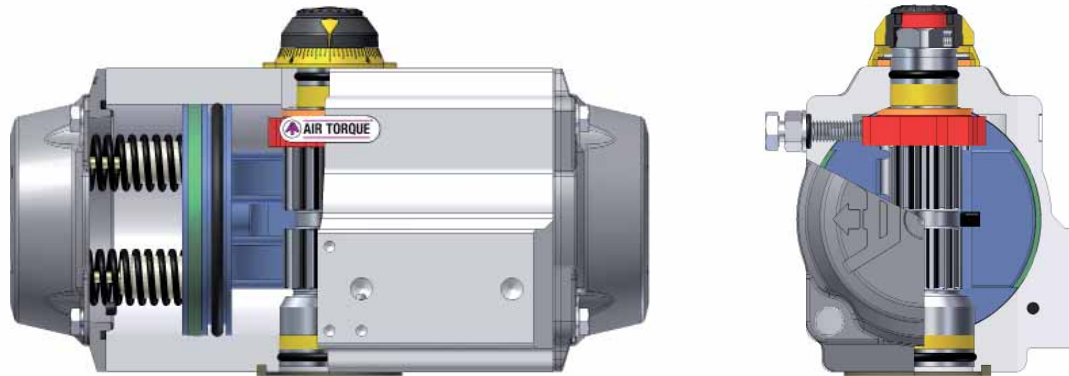


**Fast Acting Actuator**  
**SC00100U - 05000U**  
 Single Acting



**AIR TORQUE**  
 PNEUMATISCHE STELLANTRIEBE

**Design:**



**Special Body**

**Technical Data and Operating Times:**

Actuator Type FA	Air Conn. Size Port 2	Extra Air Connection	Air Bore (mm)			* min. Operating Time(sec.)	
			Port 2	Port 4	Port EAC	Spring Return	
						OPEN	CLOSE
FA SC00100U	G 1/8"-ISO228	-	ø6	ø4,5	-	0,3	0,25
FA SC00150U	G 1/4"-ISO228	-	ø7	ø5	-	0,4	0,35
FA SC00220U	G 1/4"-ISO228	G1/4"-ISO228	ø9	-	ø8	0,15	0,20
FA SC00300U	G 1/4"-ISO228	G1/4"-ISO228	ø9	-	ø8	0,20	0,25
FA SC00450U	G 1/4"-ISO228	G1/4"-ISO228	ø10	-	ø10	0,22	0,28
FA SC00600U	G 1/4"-ISO228	G1/4"-ISO228	ø10	-	ø10	0,28	0,35
FA SC00900U	G 3/8"-ISO228	G3/8"-ISO228	ø12	-	ø12	0,32	0,40
FA SC01200U	G 3/8"-ISO228	G3/8"-ISO228	ø12	-	ø12	0,38	0,45
FA SC02000U	G 1/2"-ISO228	G1/2"-ISO228	ø13	-	ø13	0,46	0,55
FA SC03000U	G 1/2"-ISO228	G1/2"-ISO228	ø15	-	ø15	0,52	0,60
FA SC04000U	G 3/4"-ISO228	G1/2"-ISO228	ø18	-	ø16	0,87	0,95
FA SC05000U	G 3/4"-ISO228	-	ø20	-	-	1,00	1,30

**Test Conditions:**

\* The minimum Operating Time indicated is obtained with the following test conditions:  
 (1) Room Temperature, (2) Spring Return Actuator with maximum number of springs, Stroke: 90°, (3) Minimum inside diameter for air supply circuit equal to air bore Port 2, (4) Medium clean air, (5) Air supply pressure: 6bar (87psi), (6) Actuator without external resistance load, (7) Supply circuit without solenoid valve.

**Cautions: The indicated operating times are strictly related to the aforementioned test conditions. The operating times on the field applications are different depending on the working conditions.**

**Note:**

For other dimensions see catalogue or technical data sheet.

For maintenance and installation see manual instruction.

The cycle life of the Fast Acting Actuator may result lower than for standard actuators in relation to the field working conditions.

**Air Torque GmbH**

Im Katzentach 16-18 · DE - 76275 Ettlingen  
 Tel.: +49 (0)7243 59 34-0 · Fax : +49 (0)7243 59 34-34  
 info@airtorque.de · www.airtorque.de

Modifications reserved. Date 06.2011.  
 No guarantee for accuracy.  
 Older data sheets are invalid.

ATSCFA  
 0611E

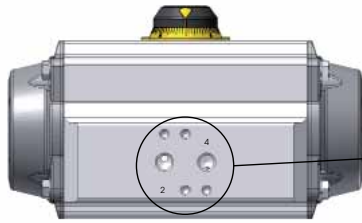


**Fast Acting Actuator**  
**SC00100U - 05000U**  
 Single Acting



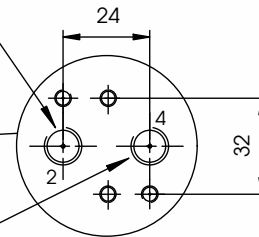
**AIR TORQUE**  
 PNEUMATISCHE STELLANTRIEBE

**FA SC00100U - 00150U**



Port 2:  
 Air connection for  
 internal chamber  
 with special bigger  
 bore

Port 4:  
 Air connection for  
 external chambers



**FA SC00220U - 02000U**

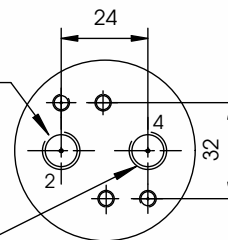


Port 2:  
 Air connection for  
 internal chamber

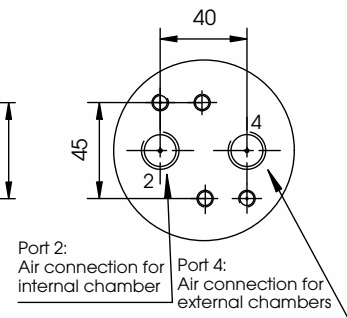
Port 4:  
 Air connection for  
 external chambers

Port EAC:  
 Extra air connections for external chambers  
 Exhaust air holes for SC (filter only on request)

Connection for type  
 FA SC00220U => 0600U



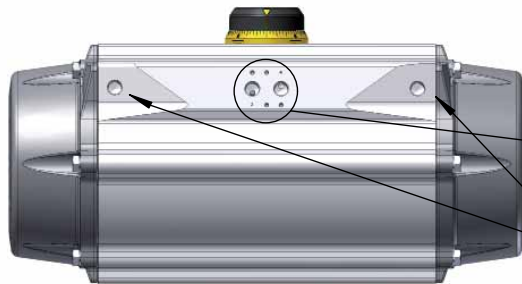
Connection for type  
 FA SC00900U => 02000U



Port 2:  
 Air connection for  
 internal chamber

Port 4:  
 Air connection for  
 external chambers

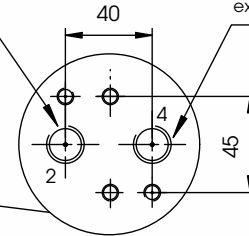
**FA SC03000U - 04000U**



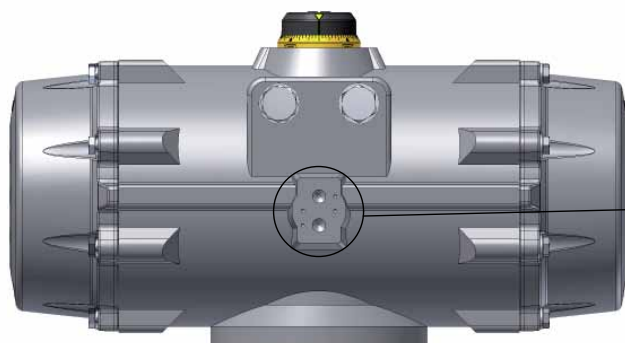
Port 2:  
 Air connection for  
 internal chamber

Port EAC:  
 Extra air connections for external chambers  
 Exhaust air holes for SC (filter only on request)

Port 4:  
 Air connection for  
 external chambers

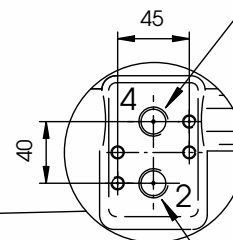


**FA SC5000U**



Port 4:  
 Air connection for  
 external chambers

Port 2:  
 Air connection for  
 internal chamber  
 with special bigger  
 bore





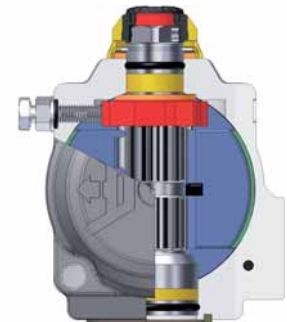
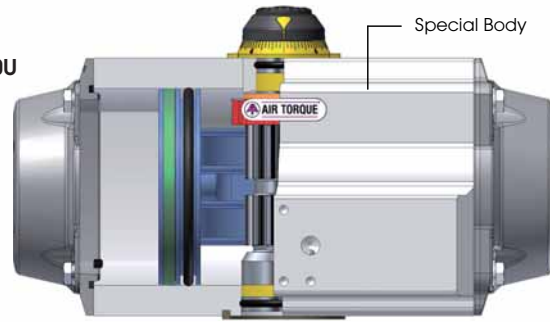
# Fast Acting Actuator DR 00100U - 5000U Double Acting



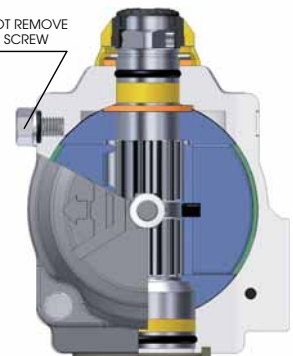
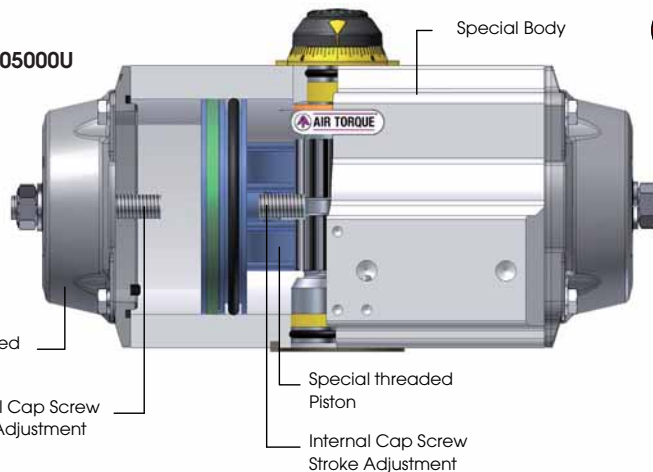
**AIR TORQUE**  
PNEUMATISCHE STELLANTRIEBE

## Design:

FA DR00100U to FA DR00150U



FA DR00220U to FA DR05000U



## Technical Data and Operating Times:

Actuator Type FA	Air Conn. Size Port 2	Air Conn. Size Port 4	Extra Air Connection	Air Bore (mm)			* min. Operating Time (sec.)	
				Port 2	Port 4	Port EAC	Spring Return	
							OPEN	CLOSE
FA DR00100U	G 1/8"-ISO228	G 1/8"-ISO228	-	ø6	ø4,5	-	0,09	0,12
FA DR00150U	G 1/4"-ISO228	G 1/4"-ISO228	-	ø7	ø5	-	0,18	0,23
FA DR00220U	G 1/4"-ISO228	G 1/4"-ISO228	G 1/4"-ISO228	ø9	-	ø8	0,06	0,09
FA DR00300U	G 1/4"-ISO228	G 1/4"-ISO228	G 1/4"-ISO228	ø9	-	ø8	0,07	0,10
FA DR00450U	G 1/4"-ISO228	G 1/4"-ISO228	G 1/4"-ISO228	ø10	-	ø10	0,09	0,12
FA DR00600U	G 1/4"-ISO228	G 1/4"-ISO228	G 1/4"-ISO228	ø10	-	ø10	0,15	0,23
FA DR00900U	G 3/8"-ISO228	G 3/8"-ISO228	G 3/8"-ISO228	ø12	-	ø12	0,20	0,30
FA DR01200U	G 3/8"-ISO228	G 3/8"-ISO228	G 3/8"-ISO228	ø12	-	ø12	0,25	0,35
FA DR02000U	G 1/2"-ISO228	G 1/2"-ISO228	G 1/2"-ISO228	ø13	-	ø13	0,30	0,40
FA DR03000U	G 1/2"-ISO228	G 1/2"-ISO228	G 1/2"-ISO228	ø15	-	ø15	0,35	0,45
FR DR04000U	G 3/4"-ISO228	G 1/2"-ISO228	G 1/2"-ISO228	ø18	-	ø16	0,37	0,48
FA DR05000U	G 3/4"-ISO228	G 1/2"-ISO228	-	ø20	-	-	0,40	0,50

### Test Conditions:

\* The minimum operating time indicated is obtained with the following conditions:  
(1) Room Temperature, (2) Double Acting Actuator, Stroke: 90°, (3) Minimum inside diameter for air supply circuit equal to air bore Port 2, (4) Medium clean air, (5) Air supply pressure: 6bar (87psi), (6) Actuator without external resistance load, (7) Supply circuit without solenoid valve.

**Attention: The indicated operating times are strictly related to the above test conditions. The operating times on the field applications are different depending on the working conditions.**

### Note:

For other dimensions see catalogue or technical data sheet.

For maintenance and installation see manual instruction.

The cycle life of the Fast Acting Actuator may result lower than for standard actuators in relation to the field working conditions.

### Air Torque GmbH

Im Katzentach 16-18 · DE - 76275 Ettlingen  
Tel.: +49 (0)7243 59 34-0 · Fax : +49 (0)7243 59 34-34  
info@airtorque.de · www.airtorque.de

Modifications reserved. Date 06.2011.  
No guarantee for accuracy.  
Older data sheets are invalid.

ATDRFA  
0612E



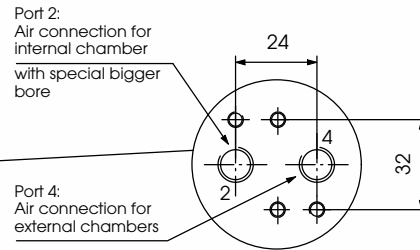
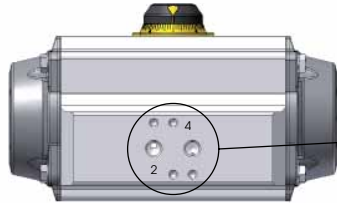
**Fast Acting Actuator**  
**DR 00100U - 5000U**  
 Double Acting



**AIR TORQUE**  
 PNEUMATISCHE STELLANTRIEBE

**FA DR00100U to FA DR00150U**

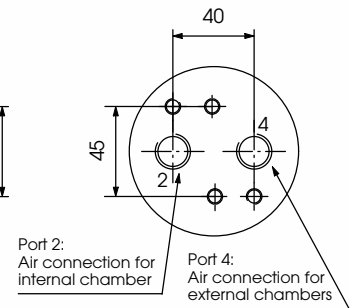
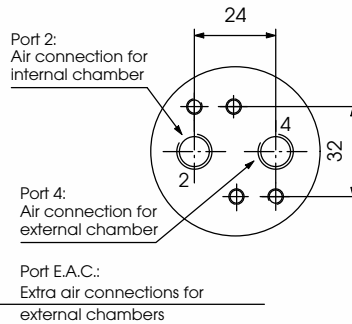
Dimensions in mm



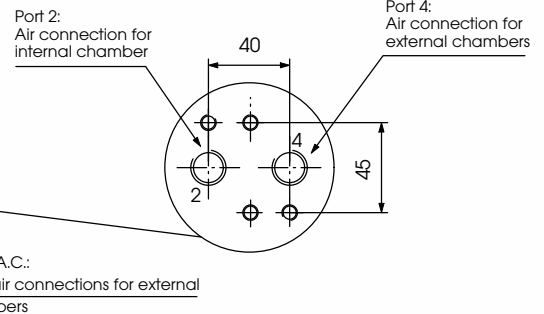
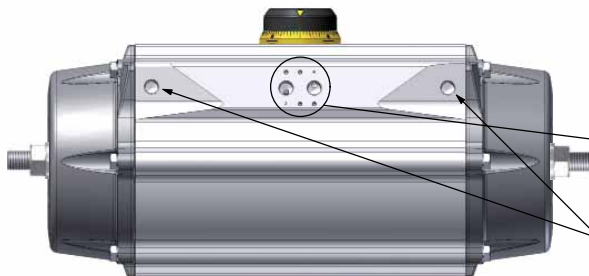
**FA DR00220U to FA DR02000U**

Interface connection for type  
FA DR00220U to FA DR00600U

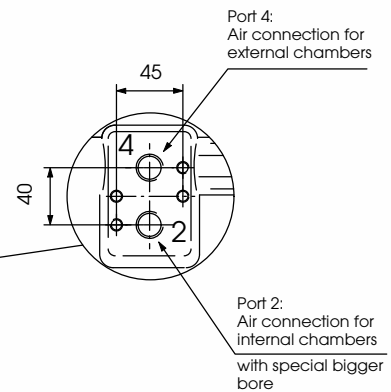
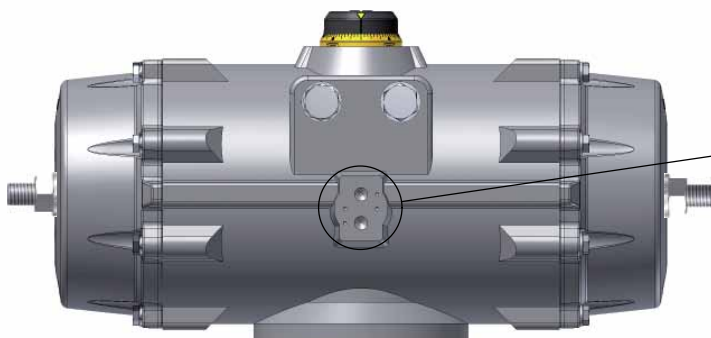
Interface connection for type  
FA DR0900U to FA DR02000U



**FA DR03000U to FA DR04000U**



**FA DR05000U**



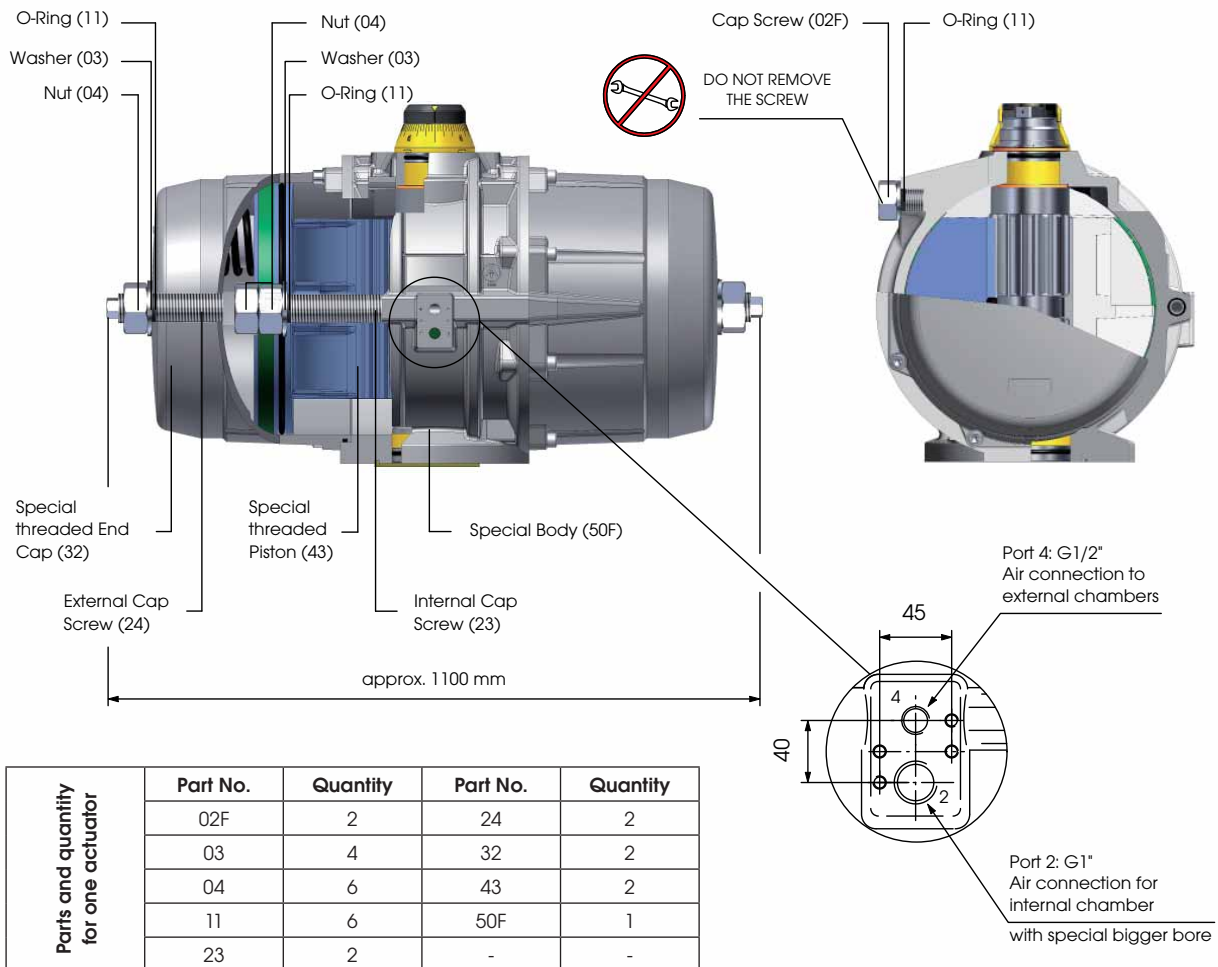


# Fast Acting Actuator DR/SC 10000U Technical Data



**AIR TORQUE**  
PNEUMATISCHE STELLANTRIEBE

## Design:



Parts and quantity for one actuator	Part No.	Quantity	Part No.	Quantity
	02F	2	24	2
	03	4	32	2
	04	6	43	2
	11	6	50F	1
	23	2	-	-

## Technical Data and Operating Times:

Actuator Type	Air Conn. Size Port 2	Air Conn. Size Port 4	Air Bore (mm)		* minimum Operating Time (sec.)			
			Port 2	Port 4	Single Acting		Double Acting	
					OPEN	CLOSE	OPEN	CLOSE
FA DR/SC1000U	G 1"-ISO228	G 1/2"-ISO228	ø21	ø13	1,5	1,4	1,5	1,4

## Test Conditions:

\* The minimum Operating Time indicated is obtained with the following test conditions:  
(1) Room Temperature, (2) SC -> Spring Return Actuator with maximum number of springs, Stroke: 90°; DR -> Double Acting Actuator. Stroke: 90° (3) Minimum inside diameter for air supply circuit equal to air bore Port 2, (4) Medium clean air, (5) Air supply pressure: 6bar (87psi), (6) Actuator without resistance load, (7) Supply circuit without solenoid valve.

**Attention: The indicated operation times are strictly related to the aforementioned test conditions. The operating times on the field applications are different depending on the working conditions.**

## Note:

For other dimensions see catalogue or technical data sheet.  
For maintenance and installation see manual instruction.  
The cycle life of the Fast Acting Actuator may result lower than for standard actuators in relation to the field working conditions.