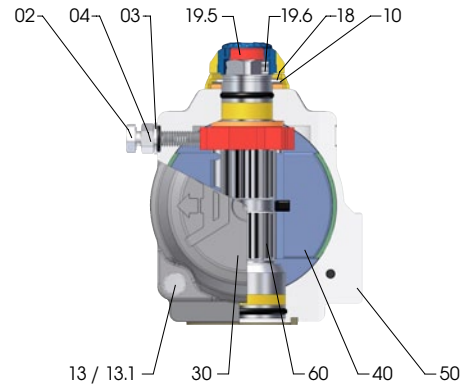




## Coating specifications for version 'EC'



### Characteristics:

- The body is special anodized (ALODUR), inside as well as outside. Additional epoxid-coating.
- End caps anodized and epoxid-coated.
- ALODUR is a special treatment, which is created with an electrochemical reaction of the AL-base material.
- Good corrosion resistance through epoxy-coating. Body and end caps are separately coated. Combined with the hard-anodization the inside surface roughness was decreased by 40%, the result is less friction combined with a very durable sealing.

### Suitable for:

general service, on-/offshore applications

### Not recommended for:

Chlorine, sulfuric acid, nitric acid

### Test certificate:

Salt spray test: Nr. SAC/892/96  
Kesternich test: Nr. SAC/0878/11

### Approval:

Classification of ships: DET NORSKE Nr. P-13682  
GOST: Nr. 7435773, PPC 00-26447

Part No.	Quantity / Note	Part Description	Standard Material	Corrosion Protection	Coating Thickness in $\mu$	Standard Colour
02	2 not for DR/SC00010U	Stop cap screw	Stainless Steel A4 70 (ISO 3506)	-	-	-
03	2 not for DR/SC00010U	Washer	Stainless Steel A4 (ISO 3506)	-	-	-
04	2 not for DR/SC00010U	Nut (Stop screw)	Stainless Steel A4 70 (ISO 3506)	-	-	-
10	1 for DR/SC00010U-5000U	Thrust Washer (Pinion)	Stainless Steel AISI 304	-	-	-
13	8/12/16 for DR/SC00010U-5000U	Cap Screw (End cap)	Stainless Steel A4 70 (ISO 3506)	-	-	-
13.1	16 only for DR/SC10000U	Washer (Cap Screw end cap)	Stainless Steel A4 70 (ISO 3506)	-	-	-
18	1 for DR/SC00010U-10000U	Spring clip (Pinion)	Stainless Steel AISI 302	-	-	-
30	2 for DR/SC00010U-5000U	End cap	Pressure Die Cast Aluminium alloy	Anodized + • 1 <sup>st</sup> C. Primer coating • 2 <sup>nd</sup> C. Epoxy coating	30 - 40	RAL7046
	only for DR/SC10000U		Cast Aluminium alloy		30 - 40	
40	2 for DR/SC00010U - 5000U	Piston	Pressure Die Cast Aluminium alloy	Anodized	10 - 15	Black
	only for DR/SC10000U		Cast Aluminium alloy			
50	1 for DR/SC00010U-4000U	Body	Extruded Aluminium alloy	Anodized + • 1 <sup>st</sup> C. Primer coating • 2 <sup>nd</sup> C. Epoxy coating	25 5 - 10 40 - 70	RAL7046
	for DR/SC5000U and 10000U		Cast Aluminium alloy		15 - 20 30 - 40 40 - 60	
60	1 for DR/SC00010U-10000U	Drive shaft (With Integral Top)	Stainless Steel AISI 316 (1.4401)	E.N.P.	20 - 25	-

**Note:** For all other part descriptions and material see technical data sheet of the proper model.