



Coating specifications for EC version actuators

RAL 7046



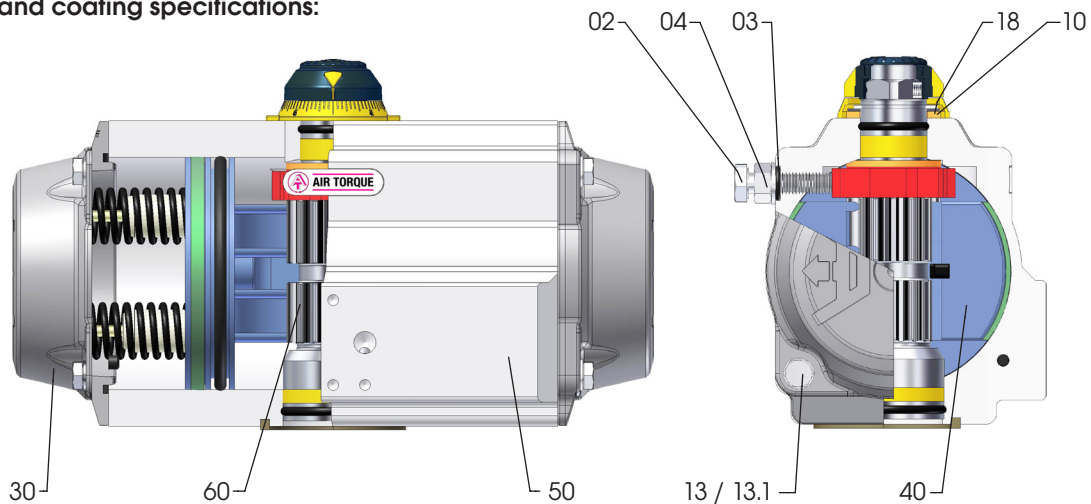
suitable for

- general service
- acid or basic solutions in low concentration

not suitable for:

- nitric acid
- N-methyle pirolidone (solvent)

Parts and coating specifications:



| PART N° | UNIT Q.TY / NOTE | PART DESCRIPTION | STANDARD MATERIAL | CORROSION PROTECTION | COATING THICKNESS IN m | STANDARD COLOUR |
|---------|-----------------------------|---------------------------------|-----------------------------------|---|-------------------------------|-----------------|
| 02 | 2 NA for AT045U | STOP CAP SCREW | Stainless Steel A4 70 (ISO 3506) | / | / | / |
| 03 | 2 NA for AT045U | WASHER | Stainless Steel A4 (ISO 3506) | / | / | / |
| 04 | 2 NA for AT045U | NUT (Stop screw) | Stainless Steel A4 70 (ISO 3506) | / | / | / |
| 10 | 1 for AT045U - AT801U | THRUST WASHER (Pinion) | Stainless Steel AISI 304 | / | / | / |
| 13 | 8/12/16 for AT045U - AT801U | CAP SCREW (End cap) | Stainless Steel A4 70 (ISO 3506) | / | / | / |
| 13.1 | 16 only for AT1001U | WASHER (Cap Screw end cap) | Stainless Steel A4 70 (ISO 3506) | / | / | / |
| 18 | 1 for AT045U - AT1001U | SPRING CLIP (Pinion) | Stainless Steel AISI 302 | / | / | / |
| 30 | 2 for AT045U - AT801U | END CAP | Pressure Die Cast Aluminium alloy | Anodized + • 1 st C. Primer coating • 2 nd C. Epoxy coating | 30 - 40 | RAL7046 |
| | only for AT1001U | | Cast Aluminium alloy | | 30 - 40 | |
| 40 | 2 for AT045U - AT801U | PISTON | Pressure Die Cast Aluminium alloy | Anodized | 10 - 15 | Black |
| | only for AT1001U | | Cast Aluminium alloy | | | |
| 50 | 1 for AT045U - AT751U | BODY | Extruded Aluminium alloy | Anodized + • 1 st C. Primer coating • 2 nd C. Epoxy coating | 25 5 - 10 40 - 70 | RAL7046 |
| | for AT801U and AT1001U | | Cast Aluminium alloy | | 15 - 20 30 - 40 40 - 60 | |
| 60 | 1 for AT045U - AT1001U | DRIVE SHAFT (With Integral Top) | Stainless Steel AISI 316 (1.4401) | E.N.P. | 20 - 25 | / |

note: for all other part descriptions and material see technical data sheet of the proper model

Test certificate:

Salt spray test: Nr. SAC/0806/09
Kesternich test: Nr. SAC/0878/11

Approval:

Classification of ships: DET NORSKE Nr. P-12465
GOST: Nr. 7435773, PPC 00-26447