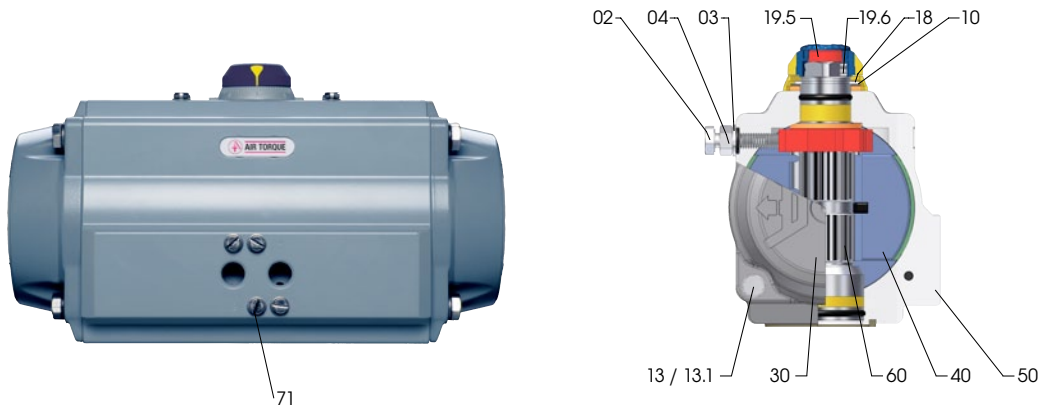




Coating specifications for version 'E'



Characteristics:

- The body is hard anodized, inside as well as outside. Additionally the body is coated with PTFE. The coating is resistant against acid or base atmosphere. It is suitable for on-/offshore applications.
- The end caps are anodized and coated with PTFE.
- The surface quality is achieved through a special method, which uses a special surface treatment with brushing and sand blasting followed by an electrochemical oxidation of the aluminium surface.
- Optimal corrosion resistance. Through PTFE coating highest chemical resistance. With stainless steel drive shaft optimal chemical resistance.

Suitable for:

strong environmental influences, acids or basic solutions

Test Certificate:

Salt spray test: no. SAC/886/96
Kesternich test: no. SAC/0877/11

Approval:

Classification of ships: DET NORSKE Nr. P-13682
GOST: no. 7435773, PPC 00-26447

Parts and coating specifications:

Part No.	Quantity/Note	Description	Material	Corrosion Protection	Thickness μ	Colour	
02	2	not for DR/SC00010U	Stop cap screw	Stainless steel A2 70 (ISO 3506)	/	/	
03	2	not for DR/SC00010U	Washer	Stainless steel A2 (ISO 3506)	/	/	
04	2	not for DR/SC00010U	Nut (stop screw)	Stainless steel A2 70 (ISO 3506)	/	/	
10	1	for DR/SC00010U-10000U	Thrust washer (pinion)	Stainless steel AISI 304	/	/	
13	8/12/16	for DR/SC00010U-05000U	Cap screw (end cap)	Stainless steel A2 70 (ISO 3506)	/	/	
13.1	16	only for DR/SC10000U	Washer (cap screw end cap)	Stainless steel A2 70 (ISO 3506)	/	/	
18	1	for DR/SC00010U-10000U	Spring clip (pinion)	Stainless steel AISI 302	/	/	
30	2	for DR/SC00010U-05000U	End cap	Pressure Die Cast Aluminium alloy	anodized+ PTFE-coating	15 - 20 25 - 35	light-grey
		only for DR/SC10000U	Cast Aluminium alloy	anodized+ PTFE-coating	15 - 20 50 - 60		
40	2	for DR/SC00010U-05000U	Pinion	Pressure Die Cast Aluminium	anodized	10 - 15	black
		only for DR/SC10000U	Cast Aluminium alloy				
50	1	for DR/SC00010U-04000U	Body	Extruded Aluminium alloy	anodized+ PTFE-coating	25 25 - 35	light-grey
		for DR/SC05000U-10000U	Cast Aluminium alloy	anodisiert + PTFE-coating	15 - 20 50 - 60		
60	1	for DR/SC00010U-10000U	Shaft drive	Stainless steel AISI 316 (1.4401)	E.N.P.	20 - 25	/
71	8	for DR/SC00010U-01200U	Plug screw	Stainless steel A2 70 (ISO 3506)	/	/	/
	10	for DR/SC02000U-10000U					

Note: For all other part description or material see technical data sheet of the proper model.