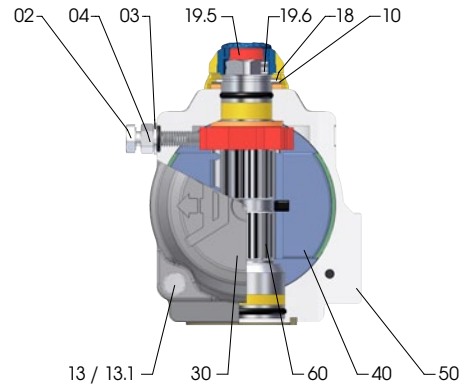




Coating specifications for version 'D'



Characteristics:

- The body is anodized, inside as well as outside. Additionally the body is coated with PTFE. The coating resists acids and basic solutions.
- The end caps are anodized and coated with PTFE.
- The surface quality is achieved through a special method, which uses a special surface treatment with brushing and sand blasting followed by an electrochemical oxidation of the aluminium surface. The body is coated with PTFE.
- Good corrosion resistance.
- The use of PTFE-coating allows a high range of temperature application. Combined with the hard-anodization the inside surface roughness was decreased by 40%.

Suitable for:
general service, acids
or basic solutions in low concentration

Test certificate:
Salt spray test: no. SAC/0874/11-1
Kesternich test: no. SAC/896/96

Not recommended for:
nitric acid and all painting solutions

Approval:
Classification of ships: DET NORSKE Nr. P-13682
GOST: no. 7435773, PPC 00-26447

Parts and coating specifications:

Part No.	Quantity/Note	Description	Material	Corrosion Protect.	Thickness μ	Colour
02	2	not for DR/SC00010U	Stop cap screw	Stainless Steel A2 70 (ISO 3506)	/	/
03	2	not for DR/SC00010U	Washer	Stainless Steel A2 (ISO 3506)	/	/
04	2	not for DR/SC00010U	Nut (stop screw)	Stainless Steel A2 70 (ISO 3506)	/	/
10	1	for DR/SC00010U-10000U	Thrust washer (pinion)	Stainless Steel AISI 304	/	/
13	8/12/16	for DR/SC00010U-05000U	Cap screw (end cap)	Stainless Steel A2 70 (ISO 3506)	/	/
13.1	16	only for DR/SC10000U	Washer (cap screw end cap)	Stainless Steel A2 70 (ISO 3506)	/	/
18	1	for DR/SC00010U-10000U	Spring clip (pinion)	Spring steel	E.N.P.	/
19.5	1	not for DR/SC00010U-00030U	Top adaptor	Extruded Aluminium alloy	anodized	45 - 50
19.6	1	not for DR/SC00010U-00030U	Hex. socket screw (top adaptor)	Stainless Steel A2 70 (ISO 3506)	/	/
30	2	for DR/SC00010U-05000U	End cap	Pressure Die Cast Aluminium alloy	anodized+ C. PTFE coating	15 - 20
		only for DR/SC10000U		Cast Aluminium alloy		25 - 35
40	2	for DR/SC00010U-05000U	Piston	Pressure Die Cast Aluminium alloy	anodized	10 - 15
		only for DR/SC10000U		Cast Aluminium alloy		
50	1	for DR/SC00010U-04000U	Body	Extruded Aluminium alloy	anodized+ PTFE coating	25
		for DR/SC05000U-10000U		Cast Aluminium alloy		25 - 35
60	1	for DR/SC00015U-05000U	Drive shaft	Steel	E.N.P.	15 - 20
		for DR/SC00010U and 10000U		Extruded Aluminium alloy		50 - 60

Note: For all other description or material see technical data sheet of the proper model.